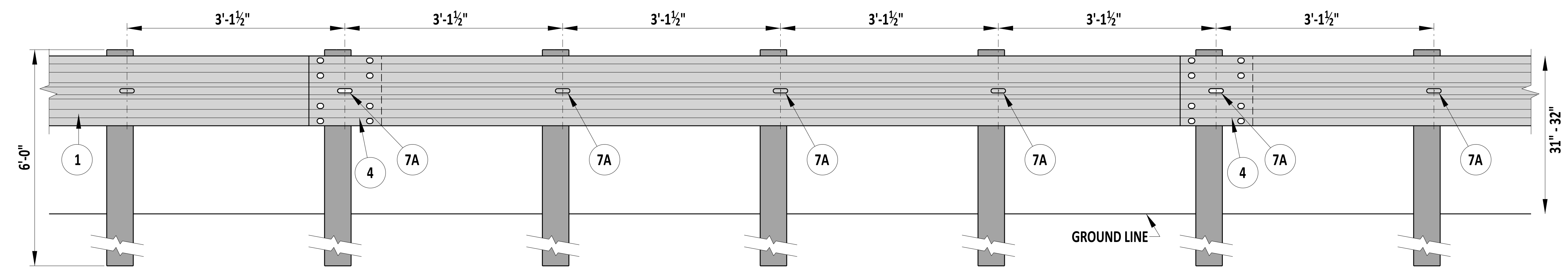
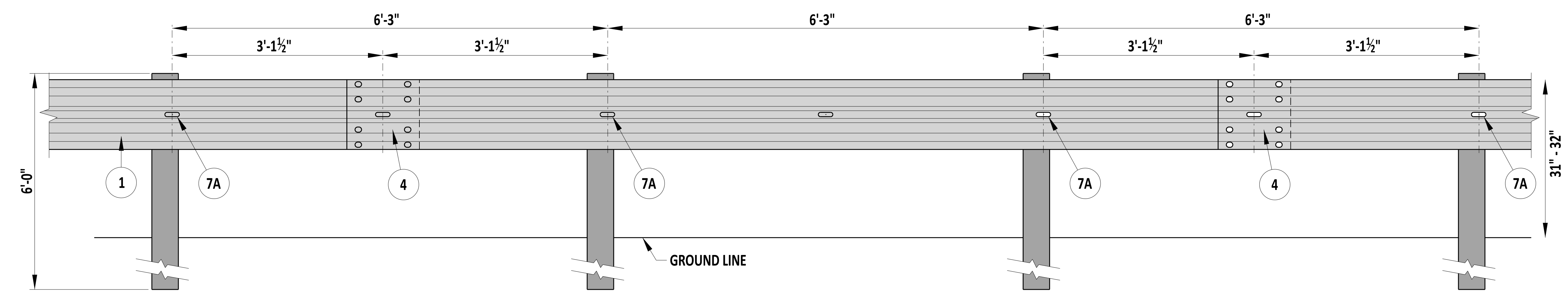


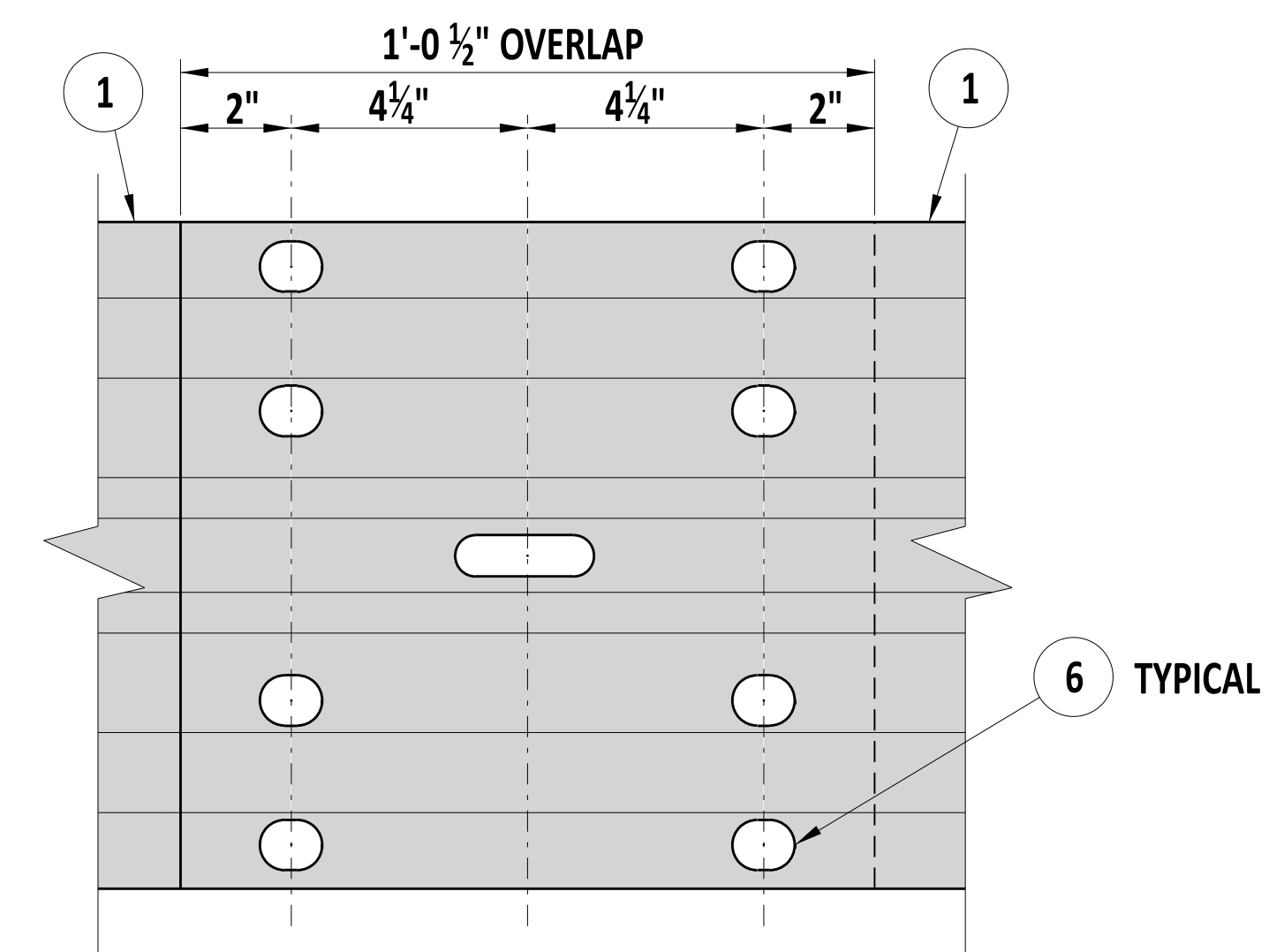
SCALE : NTS



TYPE 2-31



TYPE 1-31 OR 3-31



4 SPLICE DETAIL

NOTES:
 1). OVERLAP W-BEAMS IN DIRECTION OF TRAVEL.
 2). SEE DETAIL B-L, SHEET 1 FOR MORE INFORMATION.



Andrew Short
 ENGINEERING SUPPORT
 12/22/2023
 DATE
RECOMMENDED

**GUARDRAIL APPLICATIONS
 ELEVATION VIEWS AND SPLICE DETAILS**

STANDARD NO. B-1 (2024) SHT. 2 OF 5

REVIEWED
 [Signature]
 DEPUTY DIRECTOR - DESIGN
 22 December 2023
 DATE

APPROVED
 [Signature]
 CHIEF ENGINEER
 01/11/2024
 DATE