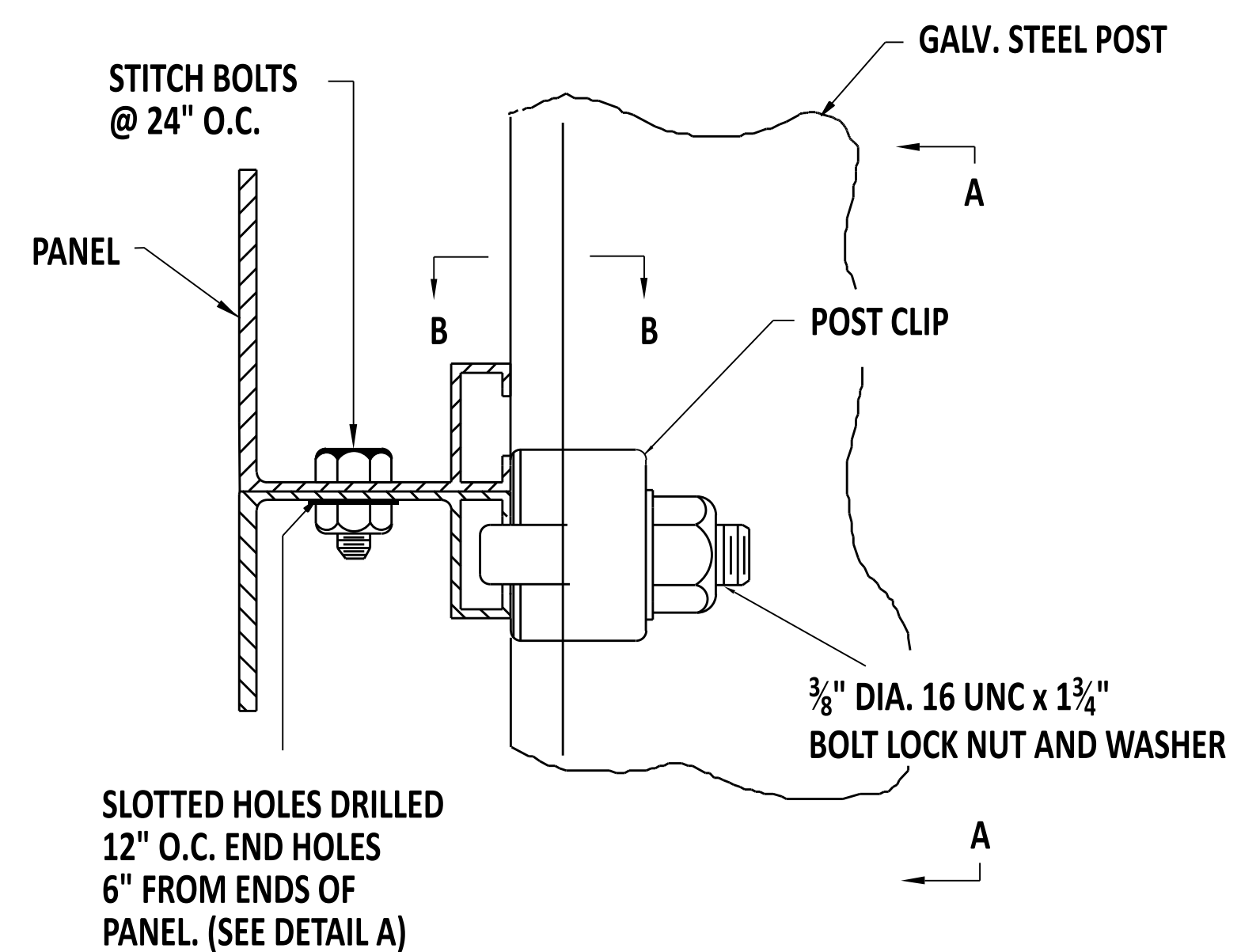
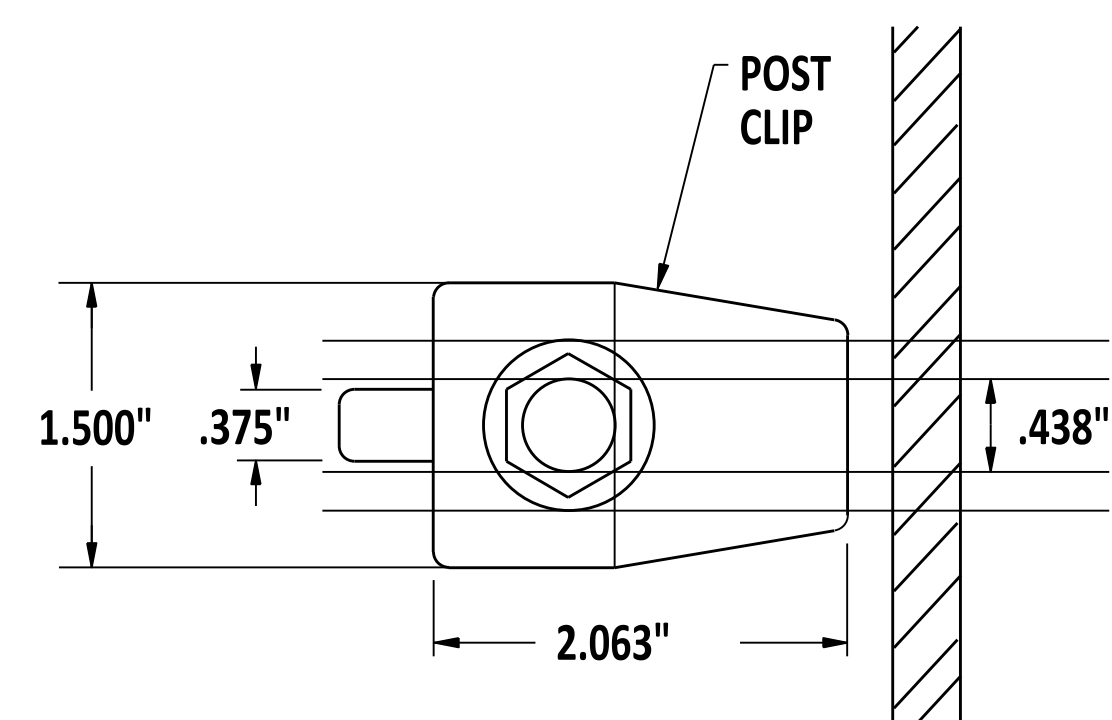


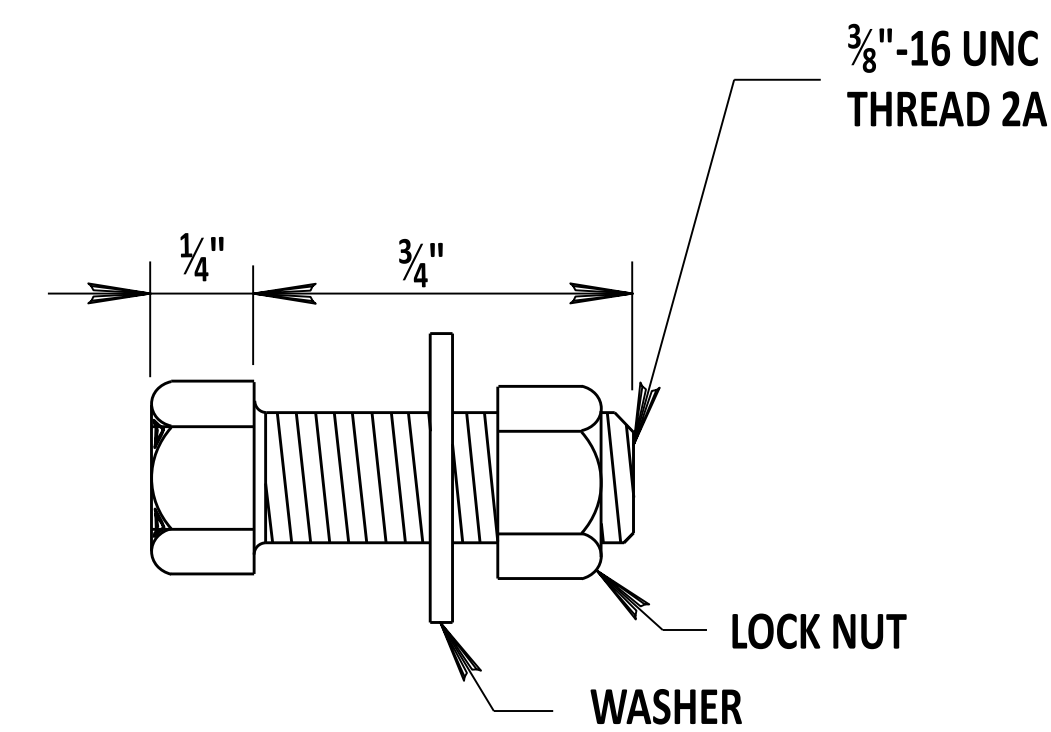
SCALE : NTS



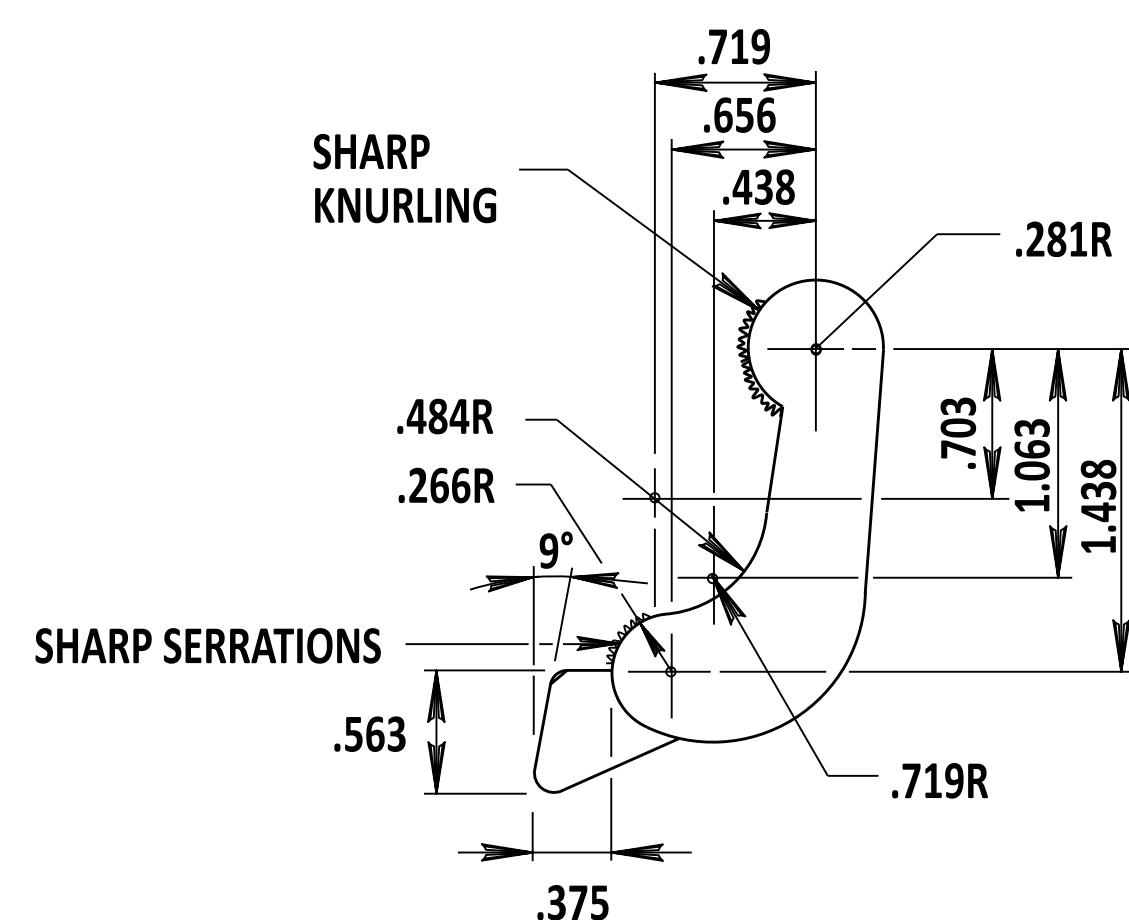
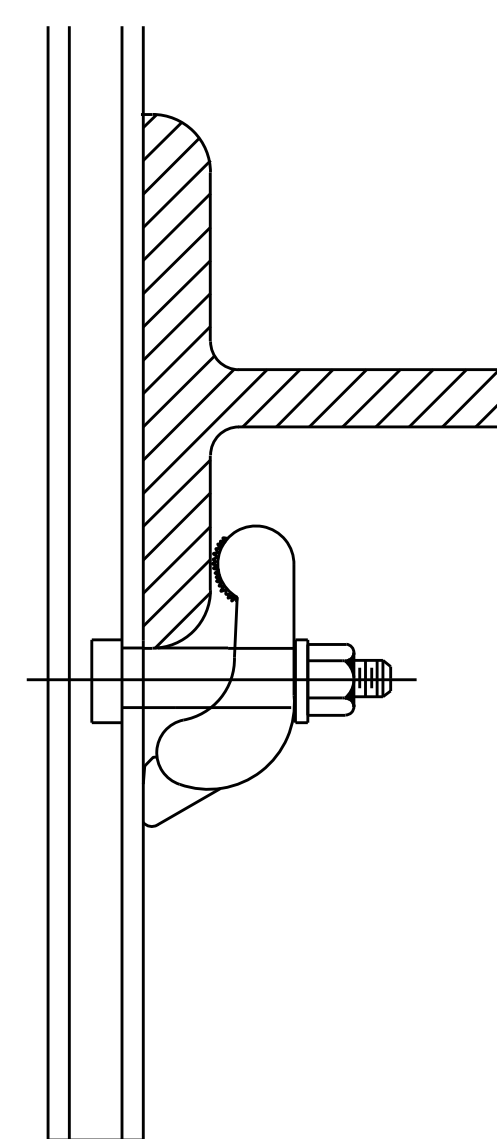
**SIGN PANEL ASSEMBLY**



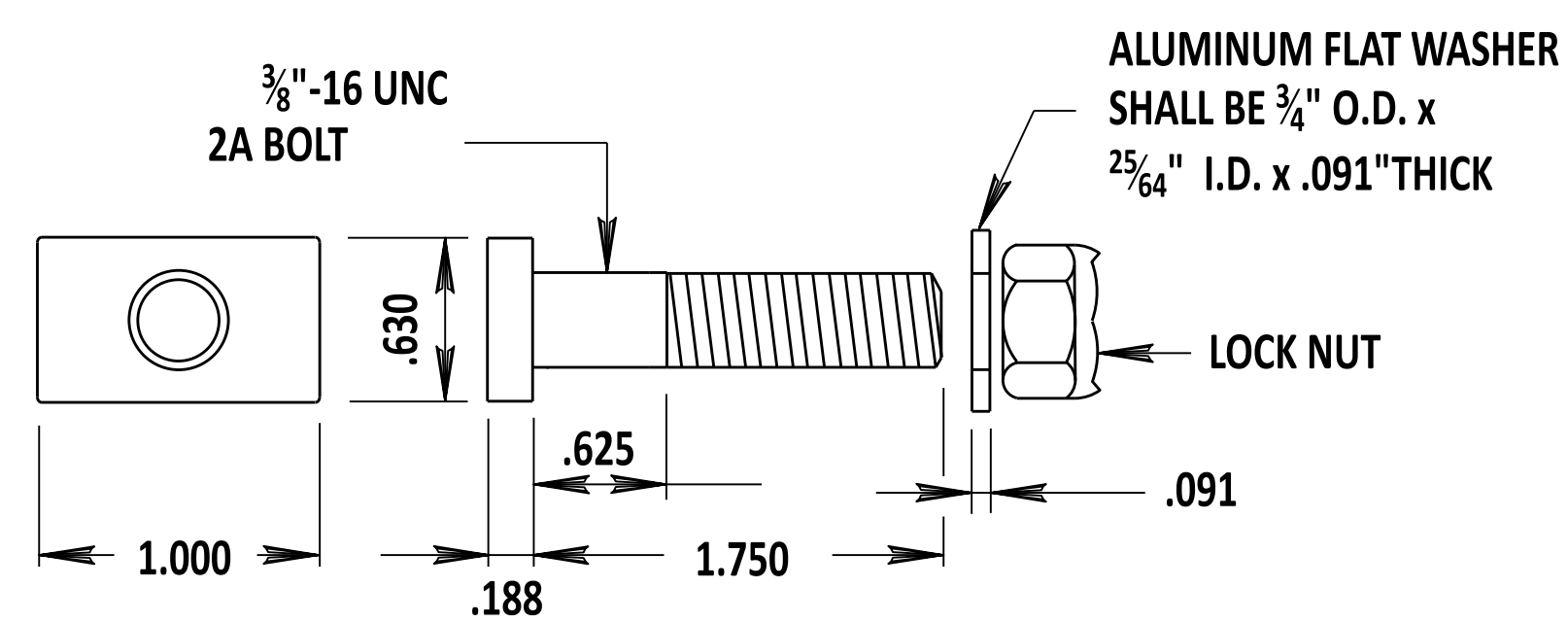
**SECTION A-A**



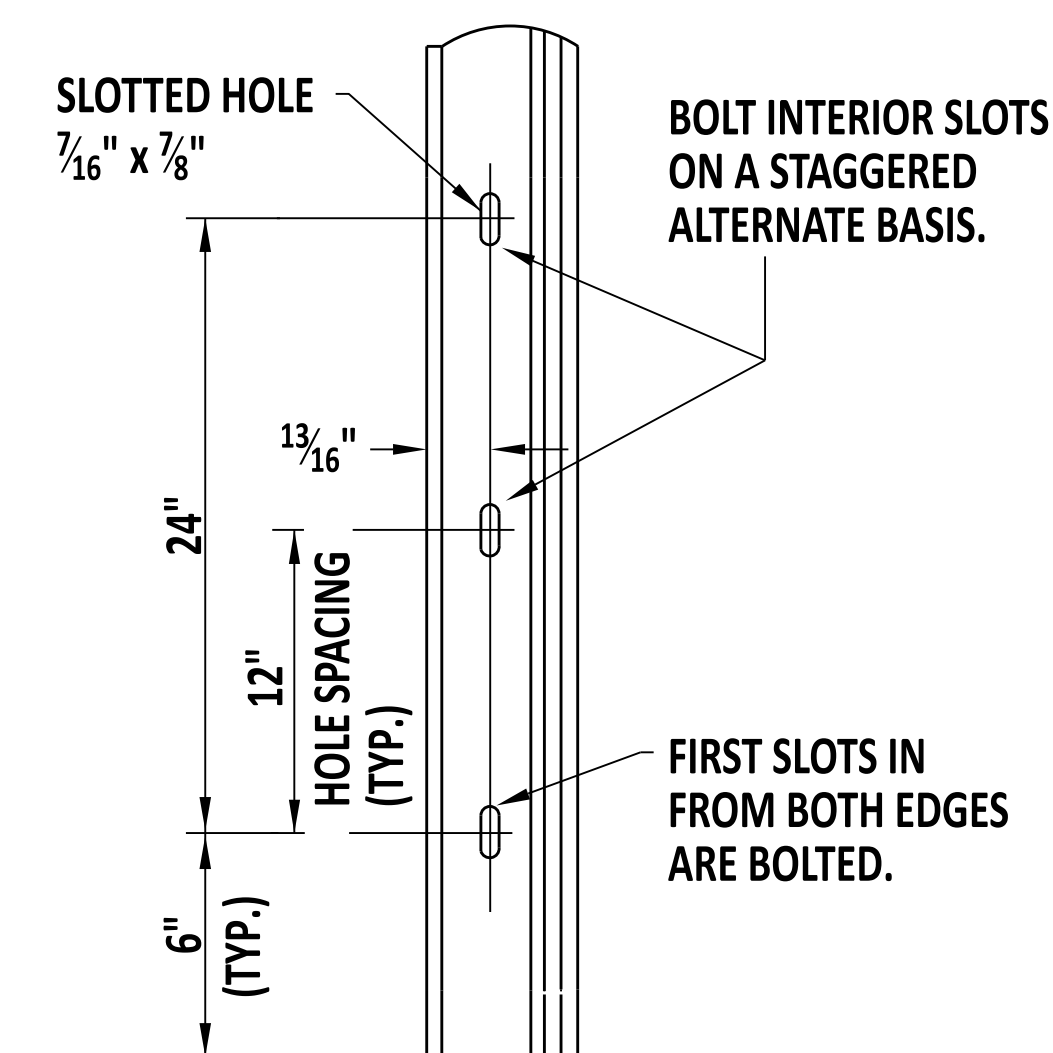
**STITCH BOLT (TYP.)**



**POST CLIP (TYP.)**



**POST CLIP BOLT (TYP.)**



**DETAIL A**

BOLTS B211, ALLOY 2024-T4, 6262-T9 OR 6061-T6  
 FLAT WASHERS B209, ALLOY 2024-T4  
 RIVETS ALLOY 5052  
 NUTS B211, ALLOY 2017-T4  
 POST CLIPS B108, ALLOY 356-T6



*Andrew Shott*  
 ENGINEERING SUPPORT DATE 12/22/2023  
**RECOMMENDED**

**EXTRUDED ALUMINUM DETAIL**  
 STANDARD NO. T-26 (2024) SHT. 2 OF 2

**REVIEWED** *[Signature]* 22 December 2023  
 DEPUTY DIRECTOR - DESIGN DATE  
**APPROVED** *[Signature]* 01/11/2024  
 CHIEF ENGINEER DATE