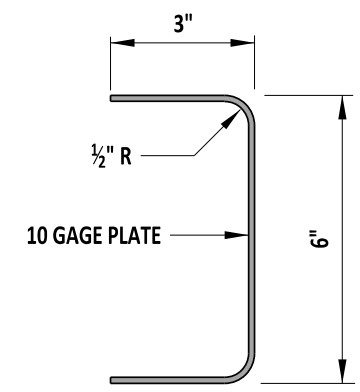
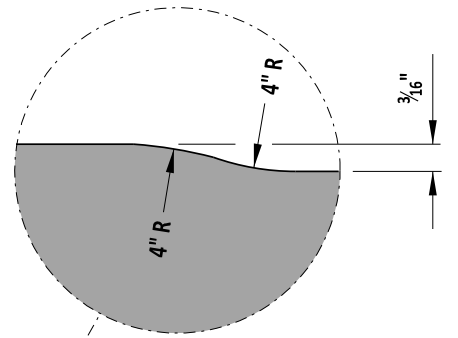
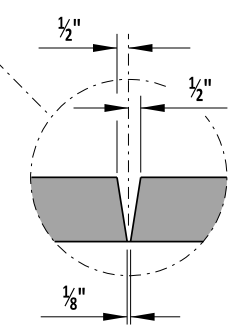
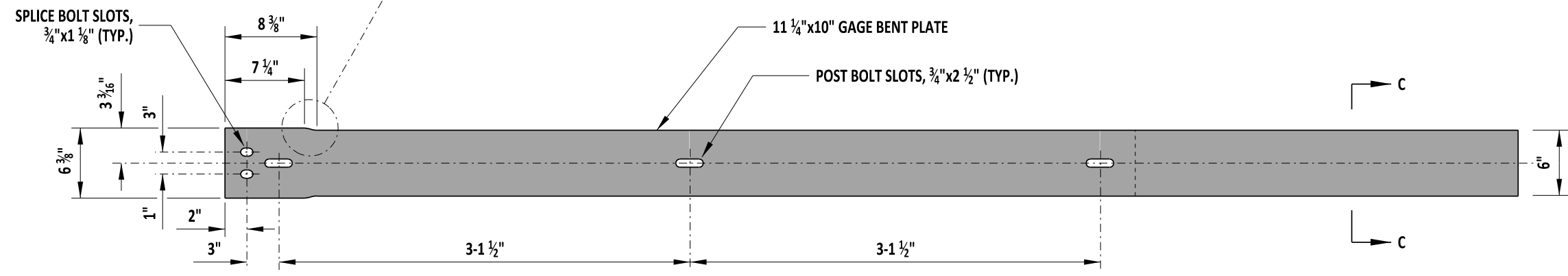


PLAN



SECTION C-C



ELEVATION

NOTE:
1). ALL HARDWARE ON THIS DETAIL IS COMPATIBLE WITH GUARDRAIL TO BARRIER CONNECTION, TYPES 1-31 AND 1-27.



Paul John
ENGINEERING SUPPORT
RECOMMENDED
DATE 09/01/2020

GUARDRAIL TO BARRIER CONNECTION, BENT PLATE RUB RAIL
STANDARD NO. B-8 (2020) SHT. 3 OF 4

REVIEWED *Mike Long*
DEPUTY DIRECTOR - DESIGN
DATE 09/01/2020
APPROVED *Shrey*
CHIEF ENGINEER
DATE 09/01/2020