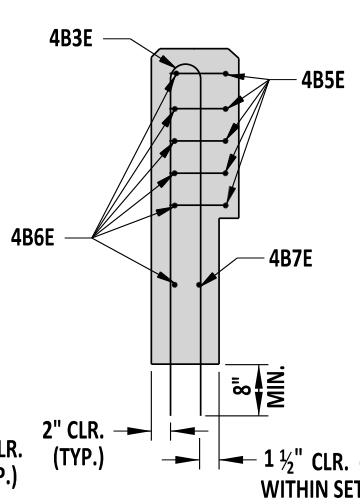
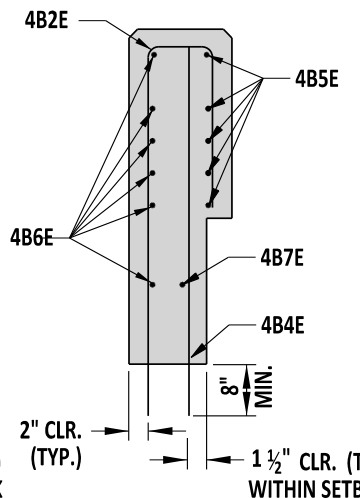


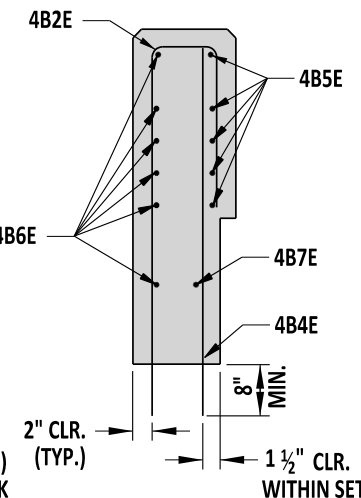
PLAN - REINFORCEMENT



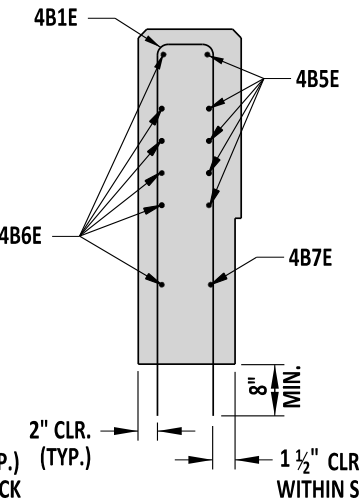
SECTION A-A



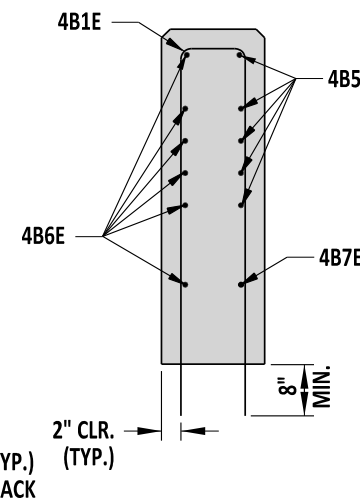
SECTION B-B



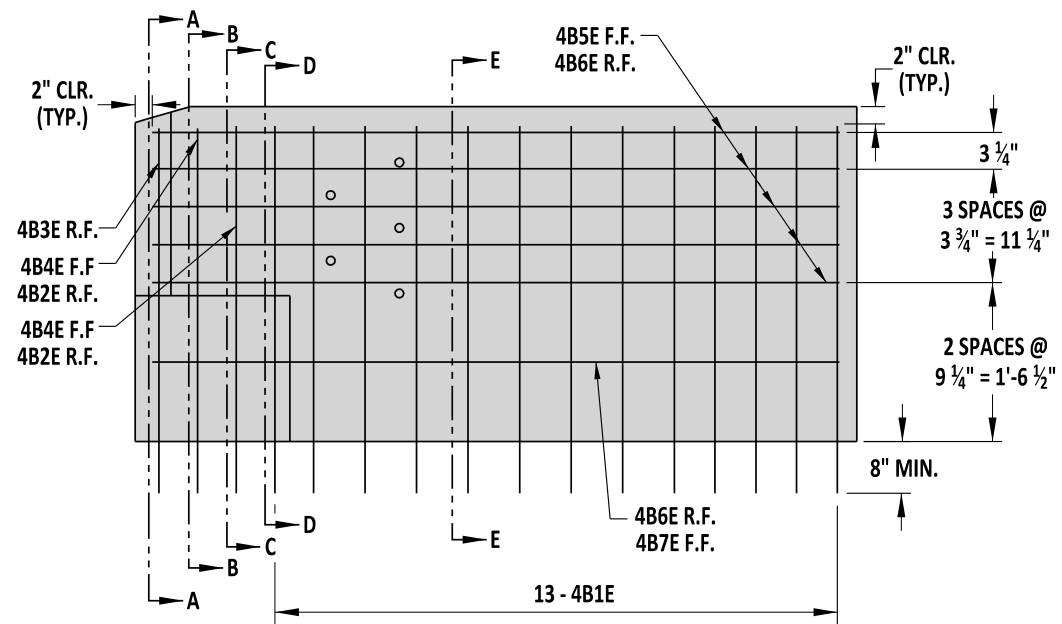
SECTION C-C



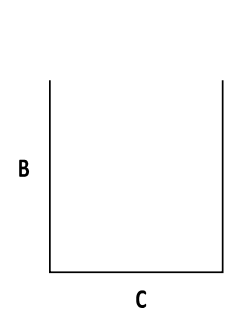
SECTION D-D



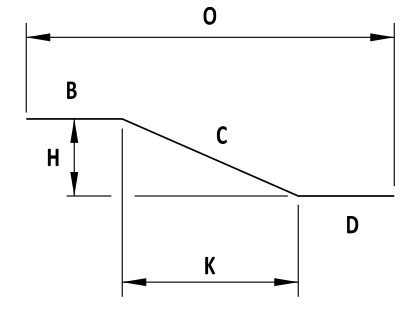
SECTION E-E



ELEVATION - REINFORCEMENT



TYPE 17 BAR



TYPE 31 BAR

BAR SCHEDULE										
MARK	SIZE	QTY.	LENGTH	TYPE	B	C	D	H	K	O
4B1E	4	13	7'-8"	17	3'-6"	8"	3'-6"	-	-	-
4B2E	4	2	5'-5"	17	3'-6"	8"	1'-3"	-	-	-
4B3E	4	1	7'-4 3/4"	17	3'-6"	4 3/4"	3'-6"	-	-	-
4B4E	4	2	3'-6"	STR	3'-6"	-	-	-	-	-
4B5E	4	5	7'-3 1/2"	17	7 1/2"	6'-8"	-	-	-	-
4B6E	4	6	6'-8"	STR	-	-	-	-	-	-
4B7E	4	1	6'-8 1/2"	31	-	1'-2 3/4"	5'-5 3/4"	3 1/2"	1'-2 1/4"	6'-8"

NOTES:
 1). CONCRETE CLEAR COVER FOR REINFORCEMENT BARS SHALL BE 2" MINIMUM, UNLESS NOTED OTHERWISE.
 2). F.F. = FRONT FACE
 R.F. = REAR FACE



ENGINEERING SUPPORT
 RECOMMENDED
 DATE 09/01/2020

THRIE-BEAM APPROACH GUARDRAIL TRANSITION (AGT) TO CONCRETE BUTTRESS
 STANDARD NO. B-11 (2020) SHT. 2 OF 8

REVIEWED
 APPROVED
 DEPUTY DIRECTOR - DESIGN
 CHIEF ENGINEER
 DATE 09/01/2020
 DATE 09/01/2020

TL-3