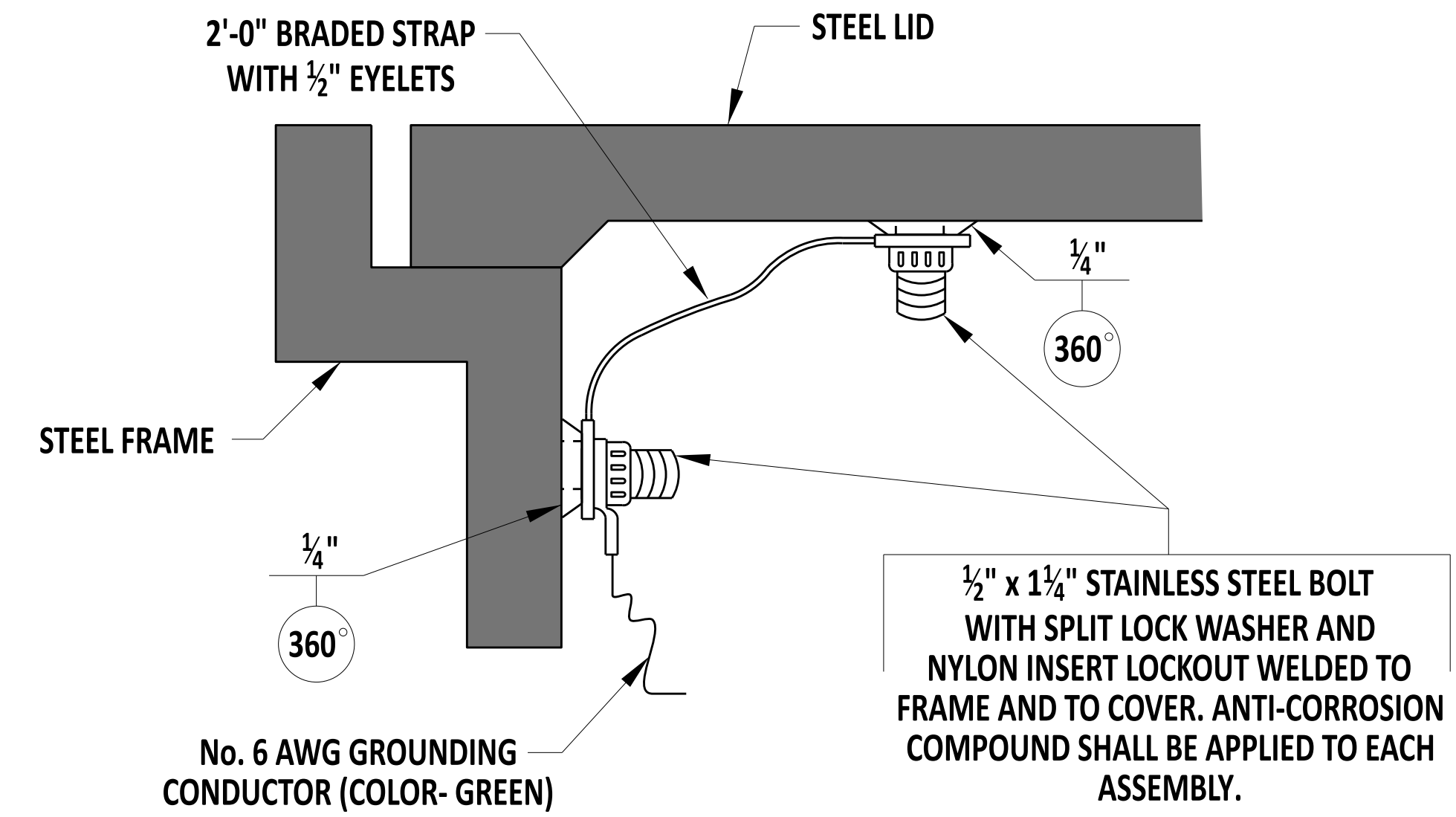
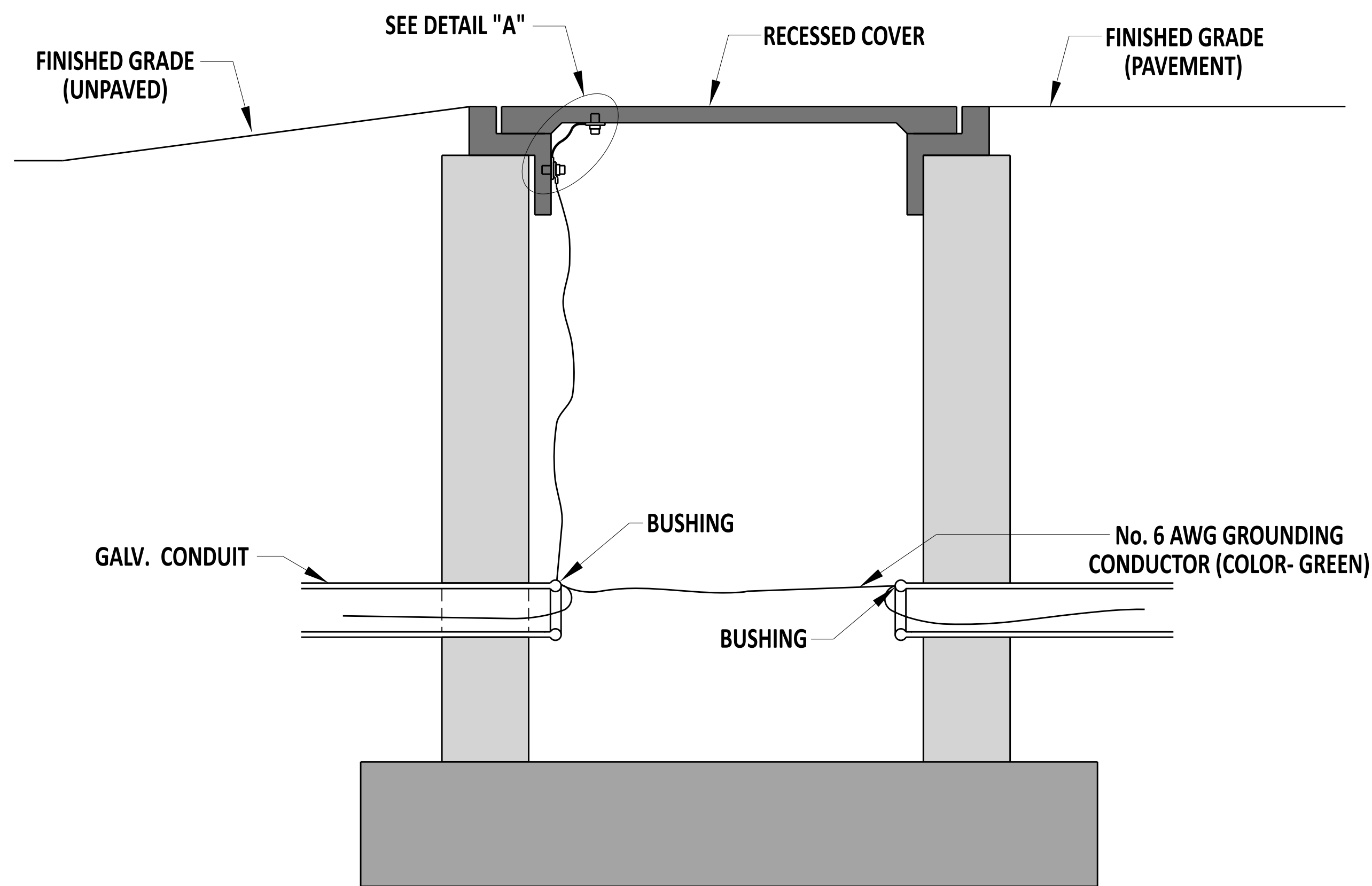


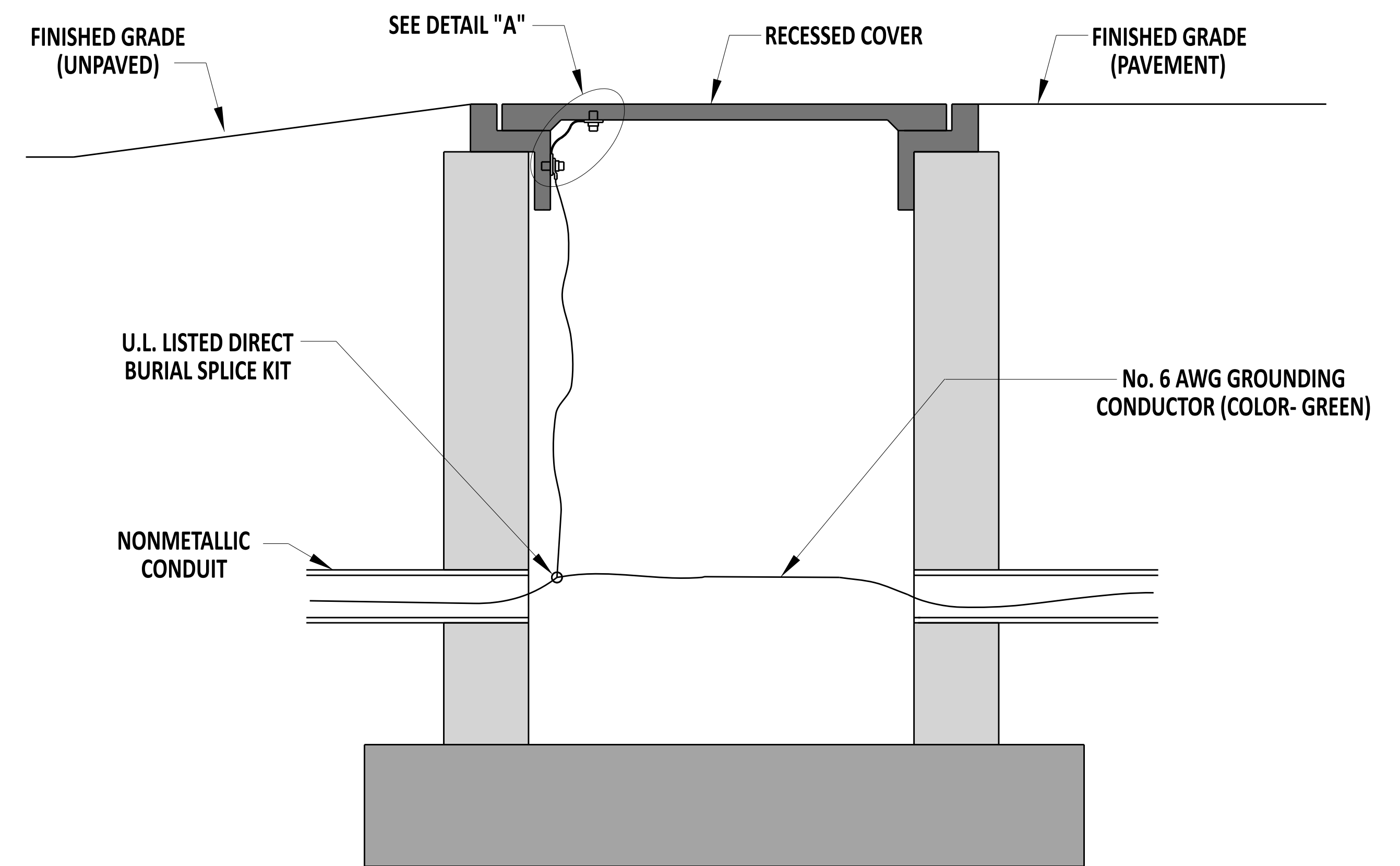
DETAIL "A"



BONDING AN EXISTING JUNCTION WELL COVER & FRAME



JUNCTION WELL BONDING GALVANIZED TO GALVANIZED

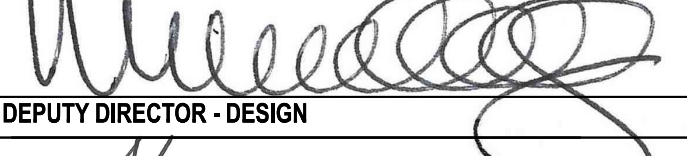



JUNCTION WELL BONDING NONMETALLIC CONDUIT




 ENGINEERING SUPPORT 12/22/2023
 DATE
RECOMMENDED

JUNCTION WELL, GROUNDING & BONDING FOR STEEL FRAMES & LIDS
 STANDARD NO. T-2 (2024) SHT. 1 OF 1

REVIEWED 
 DEPUTY DIRECTOR - DESIGN 22 December 2023
 DATE
APPROVED 
 CHIEF ENGINEER 01/11/2024
 DATE