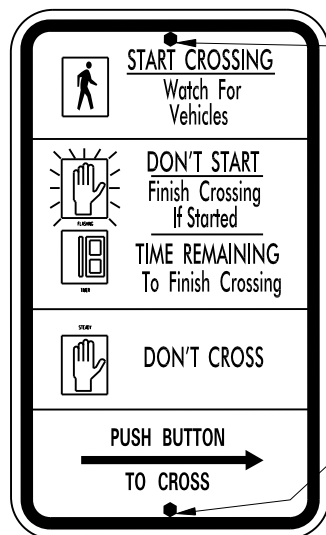
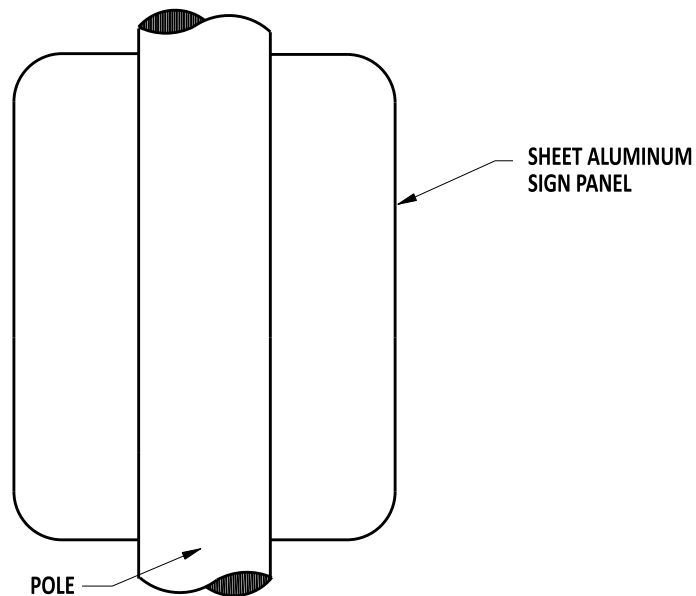


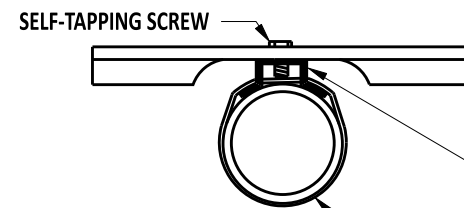
**SIGN ATTACHMENT DETAIL
VERTICAL POLE INSTALLATION ONLY
FOR PUSHBUTTON SIGN
(PLAN VIEW)**



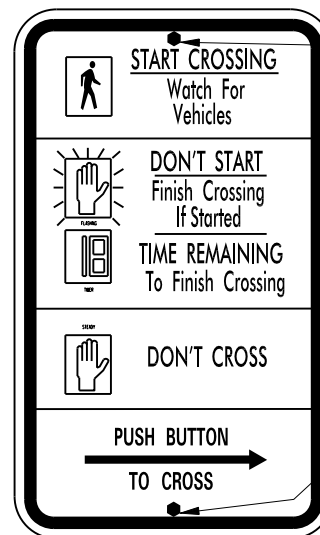
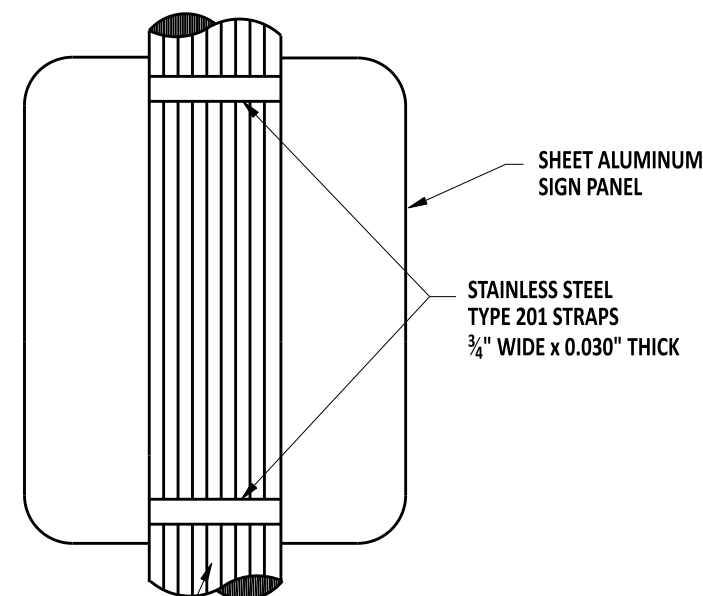
FRONT OF SIGN

BACK OF SIGN

SELF-TAPPING SCREWS AND WASHERS SHALL NOT COVER SIGN TEXT.



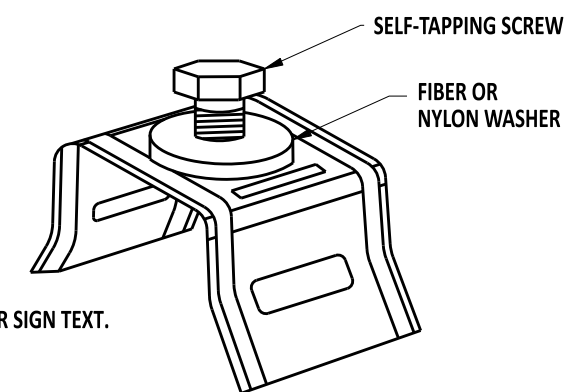
**SIGN ATTACHMENT DETAIL
VERTICAL POLE INSTALLATION ONLY
FOR PUSHBUTTON SIGN
(PLAN VIEW)**



FRONT OF SIGN

BACK OF SIGN

SELF-TAPPING SCREWS AND WASHERS SHALL NOT COVER SIGN TEXT.



**DETAIL A
STAINLESS STEEL SADDLE BRACKET**



Andrew Shott 12/13/2022
ENGINEERING SUPPORT DATE
RECOMMENDED

PEDESTRIAN PUSHBUTTON LOCATION - SIGN ATTACHMENT
STANDARD NO. T-18 (2022) SHT. 2 OF 3

REVIEWED *Mike Lee* 12/16/2022
DEPUTY DIRECTOR - DESIGN DATE
APPROVED *Shay* 12/21/2022
CHIEF ENGINEER DATE