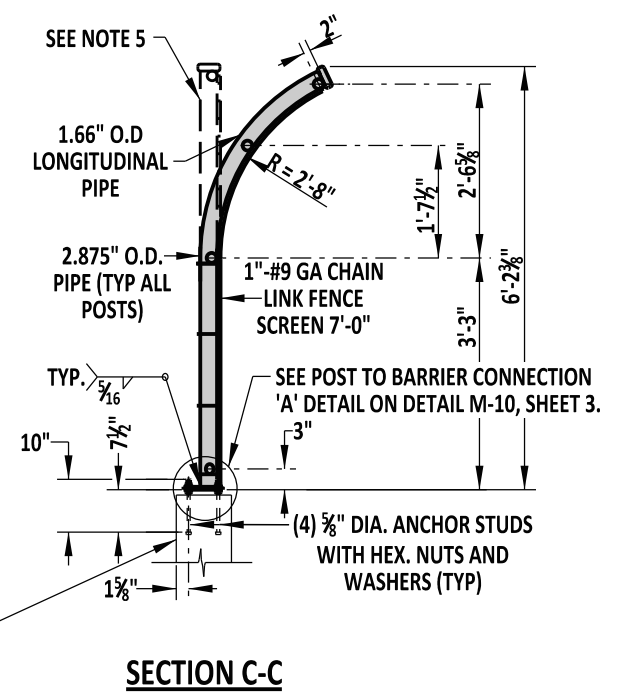
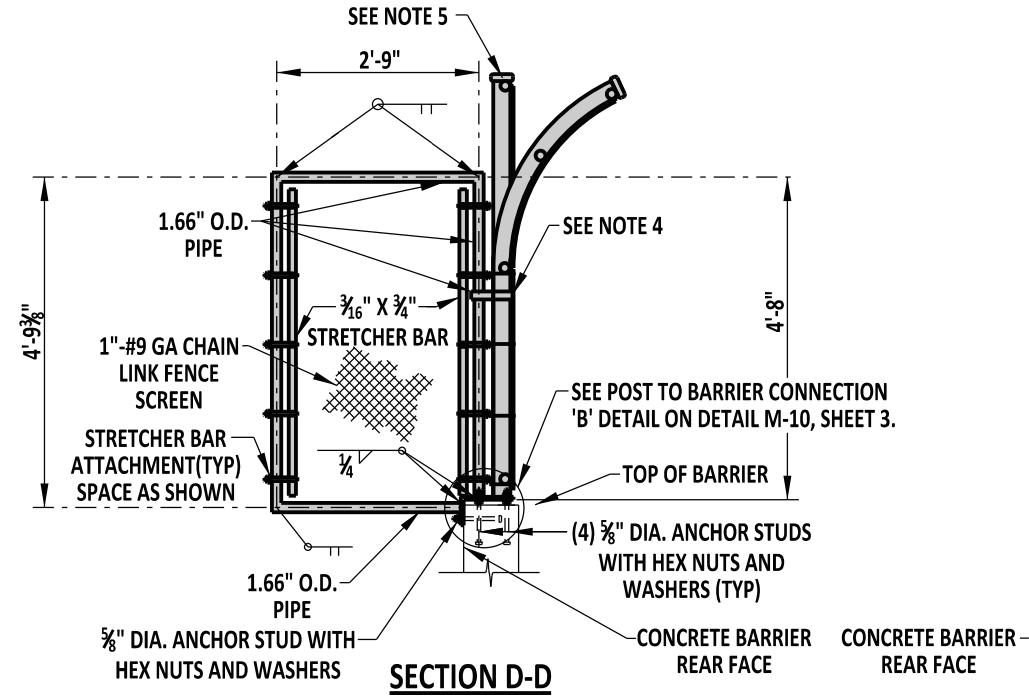


ELEVATION



BRIDGE SAFETY FENCE, TYPE 2

DESIGNER NOTE: BRIDGE SAFETY FENCE, TYPE 2 SHOULD BE USED WHEN A SIDEWALK EXISTS ADJACENT TO THE BARRIER. OTHERWISE, USE BRIDGE SAFETY FENCE, TYPE 1.

- NOTES:
- 1). IF A TAPER EXISTS AT THE END OF THE BARRIER, PLACE POST 6" FROM THE TOP OF TAPER.
 - 2). MINIMUM 1/2" TO MAXIMUM 1" OF CLEARANCE BETWEEN TOP OF BARRIER AND BOTTOM OF CHAIN LINK FENCE SCREEN.
 - 3). LINE UP EXPANSION JOINTS IN TOP AND BOTTOM FENCE RAILS WITH EXPANSION JOINTS IN BARRIER.
 - 4). ATTACH ANTI-CLIMB SHIELD TO FENCE POST BY SMALL SECTION OF PIPE TO EACH VERTICAL POST WITH 1/4" FILLET WELD. SHAPE PIPE CONNECTOR TO HAVE FULL CONTACT WITH EACH POST.
 - 5). WELD ADDITIONAL STRAIGHT POST TO CURVED POST AT SECOND INTERIOR POST OF MAIN SPAN. (TYPICAL FOR BOTH ENDS OF THE BRIDGE.)