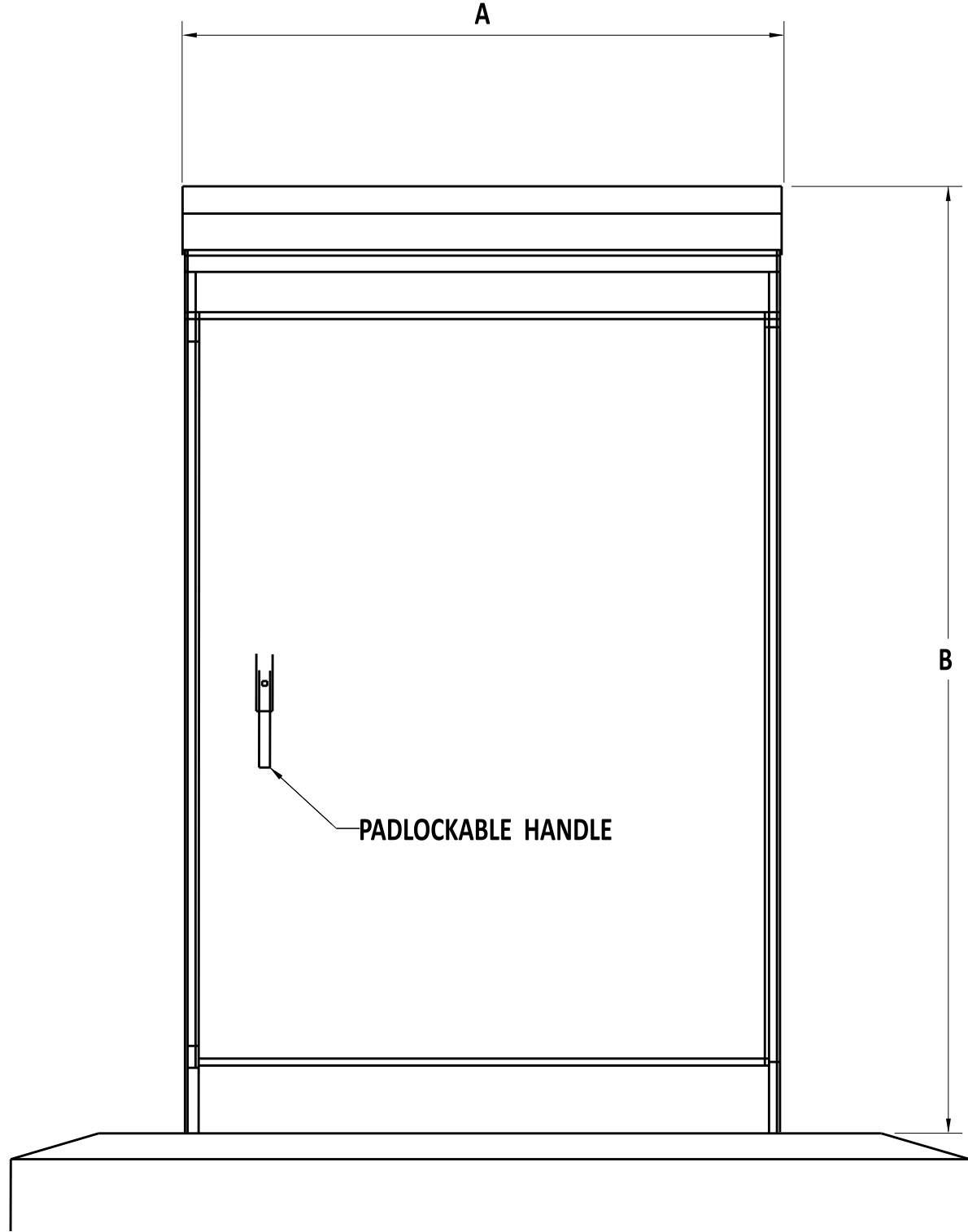


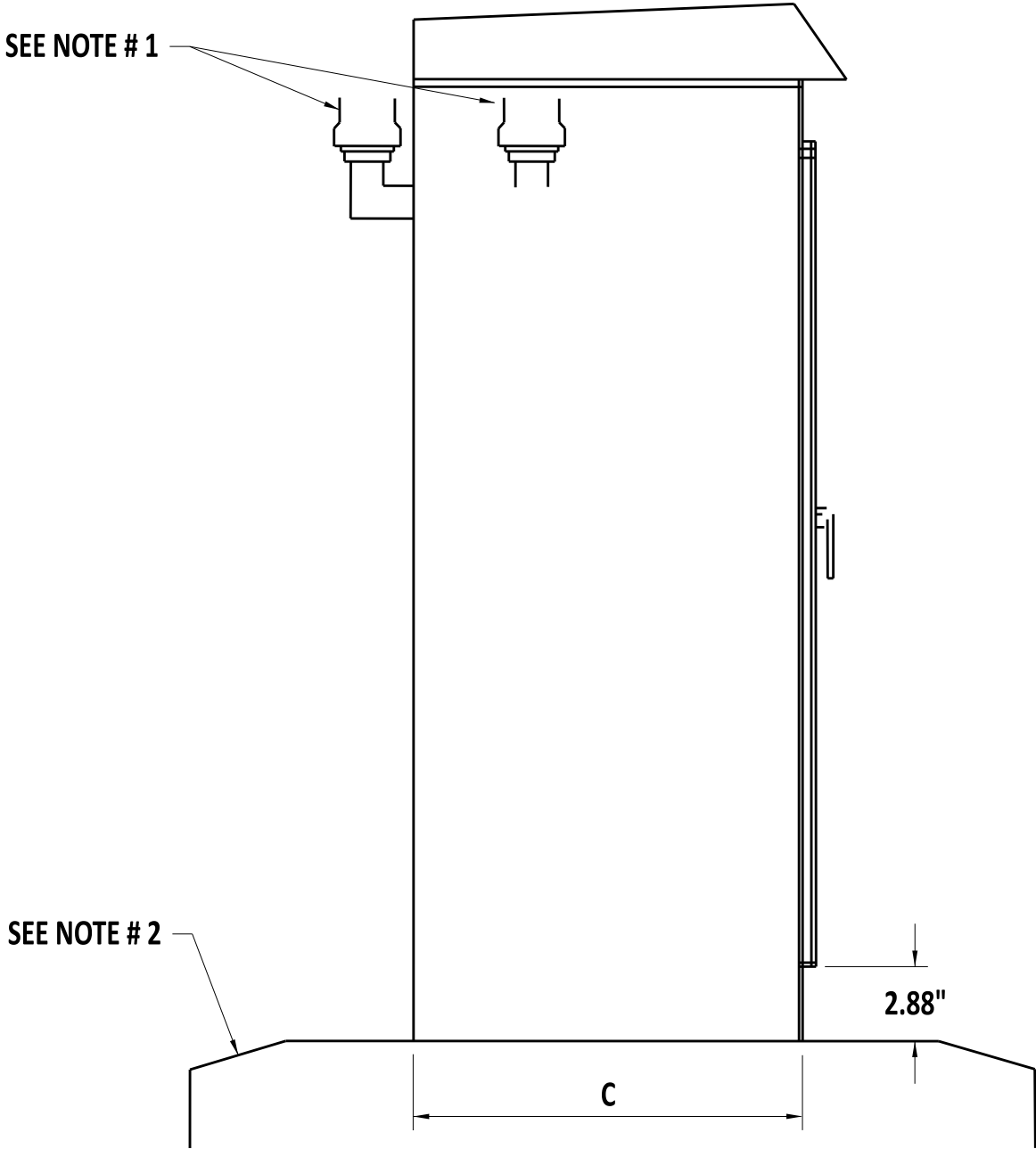
CABINET TYPE			
DIM.	TYPE M	TYPE P	TYPE R
A	36"	44"	44"
B	51"	56"	77"
C	16.88"	25.5"	25.5"

NOTES:

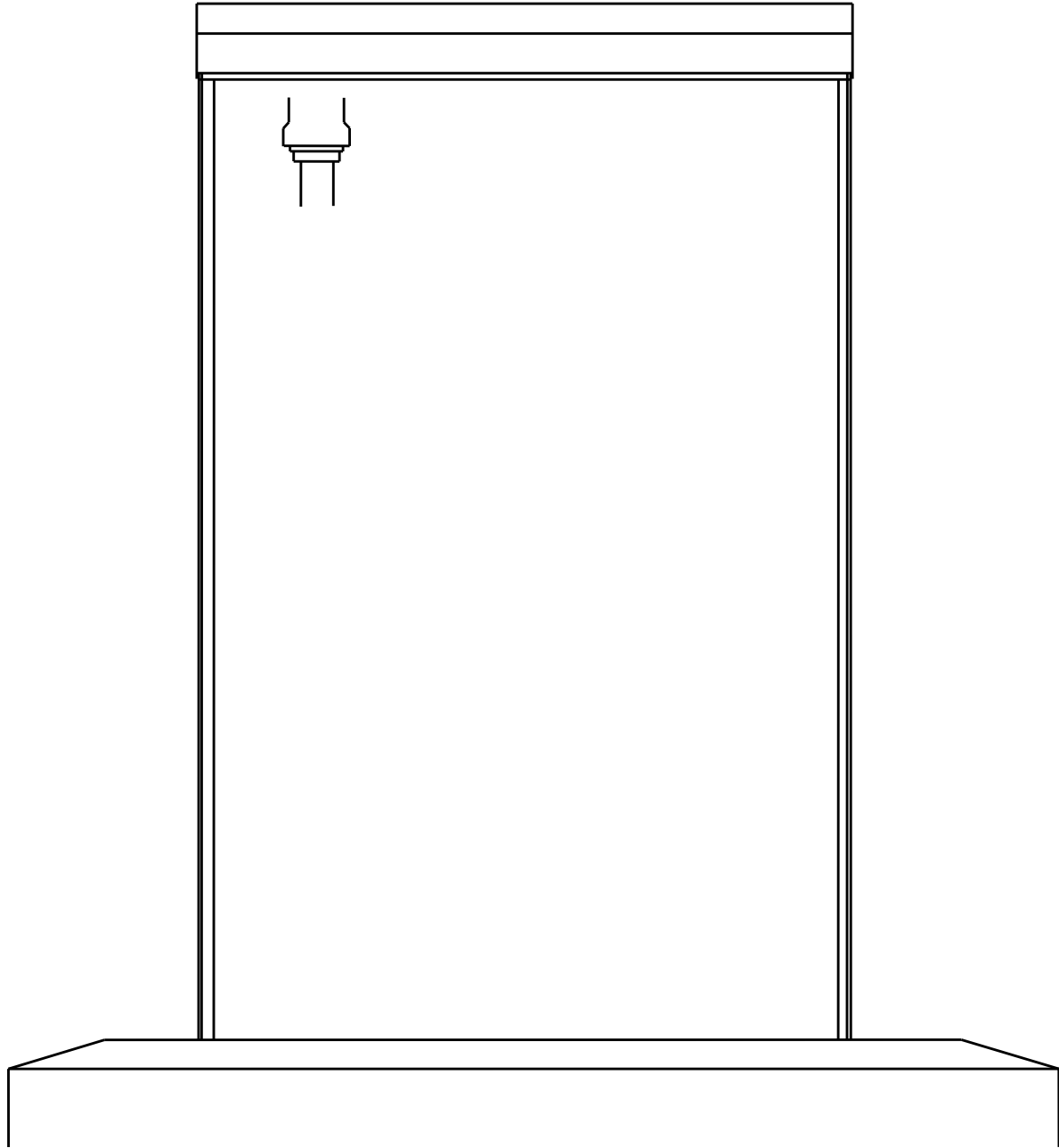
- 1). PHOTOCONTROL DEVICE SHALL BE MOUNTED ON BACK OR SIDE OF CABINET ON 90 DEGREE CONDUIT FITTING TO AVOID VEHICLE HEADLIGHT GLARE. PHOTOCONTROL DEVICE CAN ALSO BE INSTALLED INSIDE OF THE CABINET, BEHIND PLEXI-GLASS SHIELD. THE DESIGNER SHALL COORDINATE WITH THE APPLICABLE MAINTENANCE DISTRICT TO DETERMINE THE LOCATION OF THE PHOTOCONTROL DEVICE ON THE CABINET.
- 2). REFER TO STANDARD DETAILS T-4, SHEET 1 AND T-4, SHEET 2 FOR CABINET BASE DETAILS.
- 3). METER AND LOAD-SIDE DISCONNECT SWITCH TO BE MOUNTED SEPARATELY FROM CABINET. REFER TO STANDARD DETAIL T-17 METERED SERVICE PEDESTAL.
- 4). CONTACT INDIVIDUAL DISTRICTS FOR ANY SOLE SOURCE COMPONENTS WITHIN THE CABINET.



FRONT VIEW



SIDE VIEW

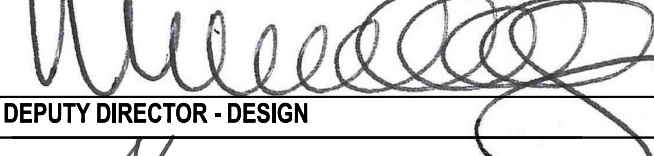



BACK VIEW




 ENGINEERING SUPPORT DATE 12/22/2023
RECOMMENDED

STANDARD LIGHTING CABINET, TYPES M, P, AND R
 STANDARD NO. T-3 (2024) SHT. 1 OF 1

REVIEWED  22 December 2023
 DEPUTY DIRECTOR - DESIGN DATE
APPROVED  01/11/2024
 CHIEF ENGINEER DATE