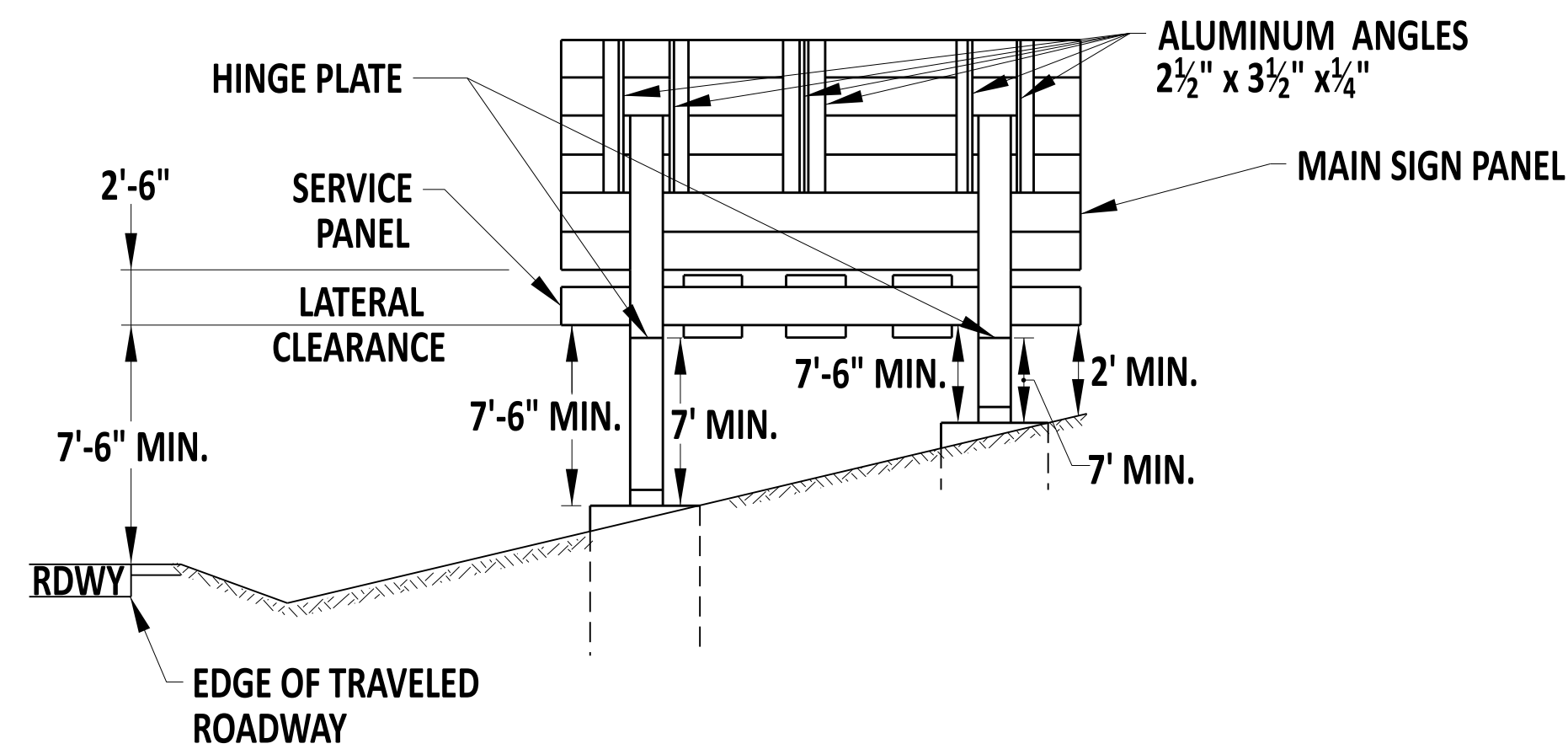


NOTES: (ALL SCENARIOS)

1. MUST MAINTAIN 7'-0" MIN. FROM FOUNDATION TO HINGE PLATE ON BREAKAWAY SUPPORT.
2. MUST MAINTAIN 10'-0" FROM BOTTOM OF MAIN SIGN PANEL ABOVE EDGE OF TRAVELED LANE WHEN SERVICE PANEL IS PRESENT.
3. (1' X SIGN WIDTH) SERVICE PANEL ATTACHED TO "I" BEAMS WITH POST CLIPS (EIGHT (8) PER SERVICE PANEL)

SERVICE PANEL INSTALLATIONS TO NEW BREAKAWAY SUPPORTS



NOTES:

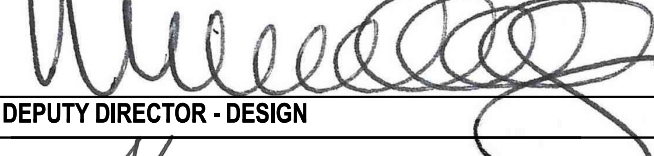

1. RAISE MAIN SIGN PANEL 2' MAX. TO OBTAIN THE PROPER CLEARANCE FROM ROADWAY.
2. SERVICE PANEL ATTACHED ABOVE HINGE PLATE WITH POSTCLIPS (EIGHT (8) PER SERVICE PANEL).
3. UNSUPPORTED MAIN SIGN PANEL TO BE STIFFENED USING ALUMINUM ANGLES 2 1/2 X 3 1/2 X 1/4.

SERVICE PANEL ATTACHMENTS TO EXISTING BREAKAWAY SUPPORTS




 Andrew Shott
 ENGINEERING SUPPORT
 12/22/2023
 DATE
RECOMMENDED

GALVANIZED STEEL BEAM SIGN POSTS SERVICE PANEL ATTACHMENT DETAILS
 STANDARD NO. T-25 (2024) SHT. 1 OF 1

REVIEWED

 DEPUTY DIRECTOR - DESIGN
 22 December 2023
 DATE
APPROVED

 CHIEF ENGINEER
 01/11/2024
 DATE