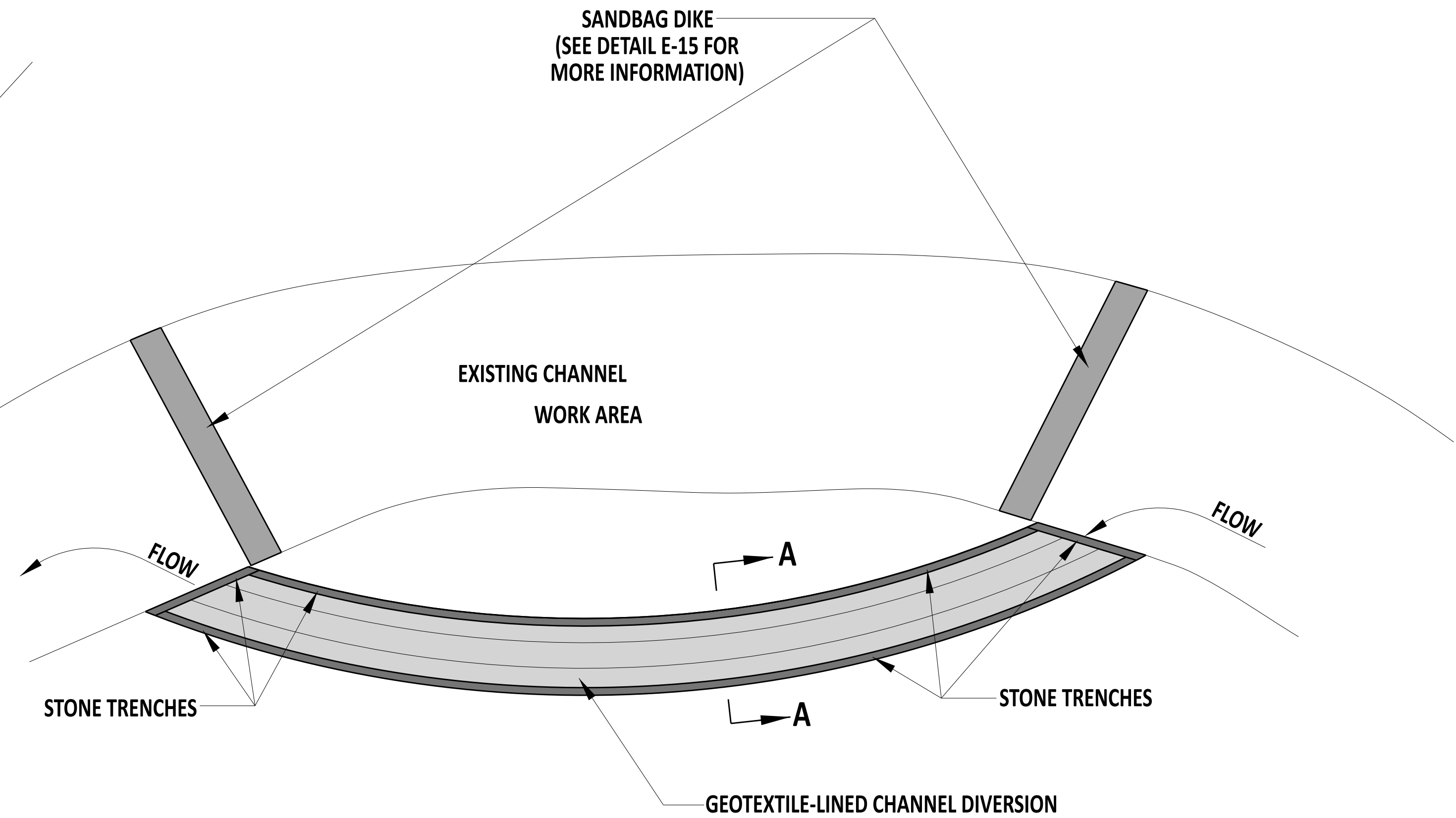
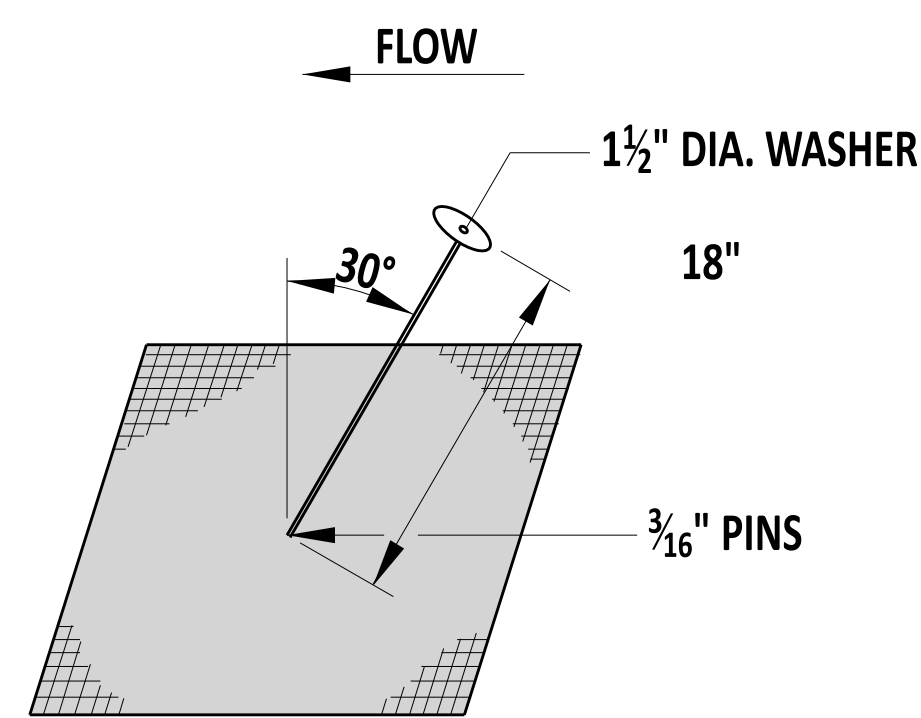


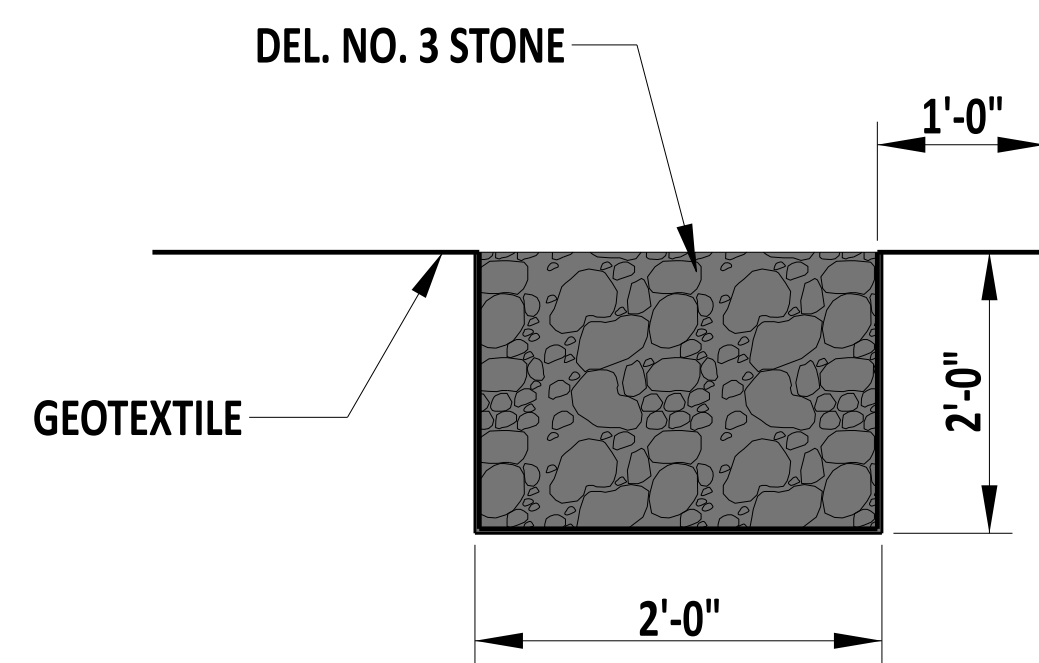
**ISOMETRIC VIEW**



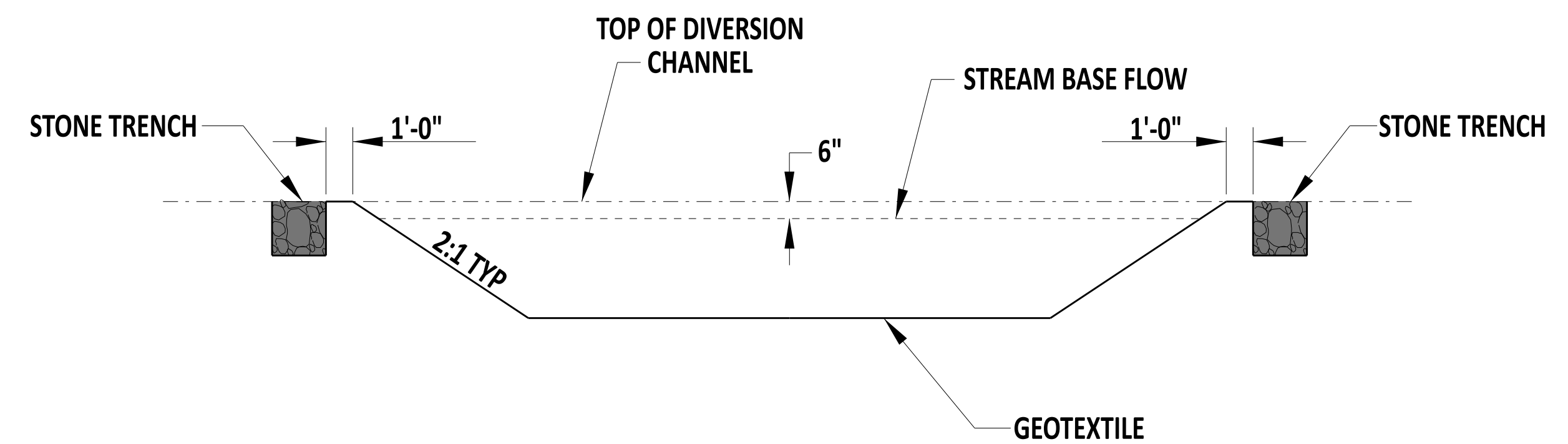
**PLAN**



**FASTENING DETAIL**



**TRENCHING DETAIL**



**SECTION A-A**



*Andrew Short*  
 ENGINEERING SUPPORT      12/22/2023      DATE  
**RECOMMENDED**

**GEOTEXTILE-LINED CHANNEL DIVERSION**  
 STANDARD NO.      E-17 (2024)      SHT.      1      OF      1

**REVIEWED**      *[Signature]*      22 December 2023      DATE  
DEPUTY DIRECTOR - DESIGN  
**APPROVED**      *[Signature]*      01/11/2024      DATE  
CHIEF ENGINEER