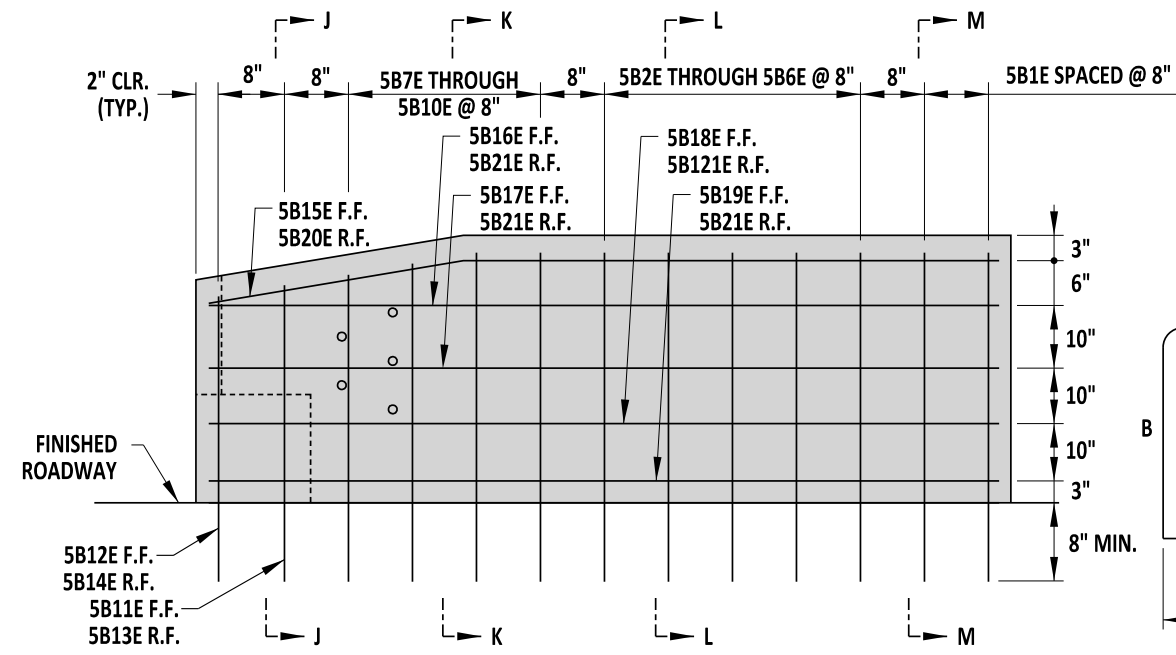
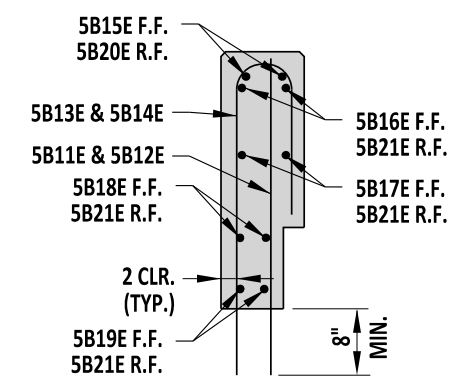


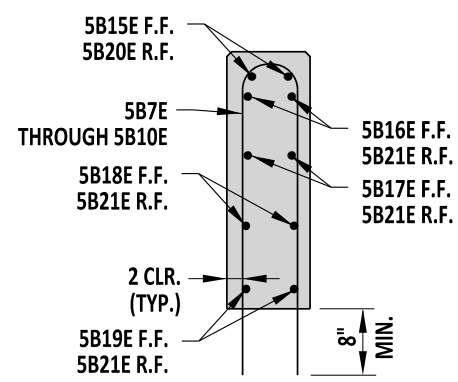
PLAN - REINFORCEMENT



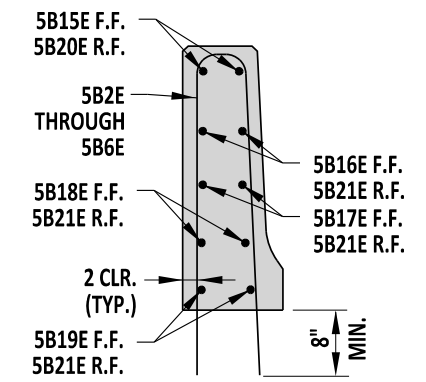
ELEVATION - REINFORCEMENT



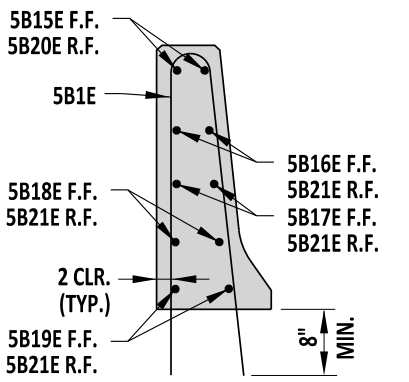
SECTION J-J



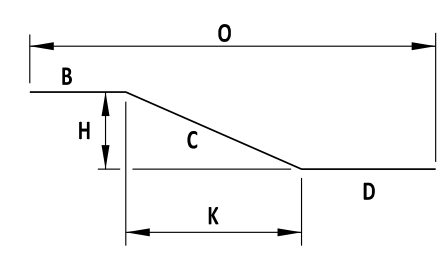
SECTION K-K



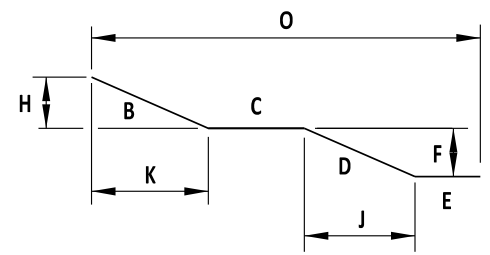
SECTION L-L



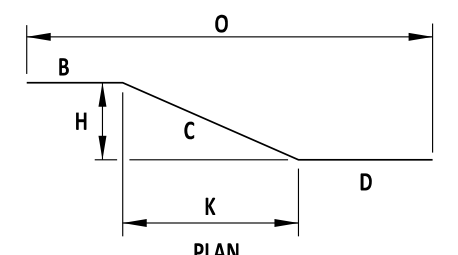
SECTION M-M



TYPE 31 BAR

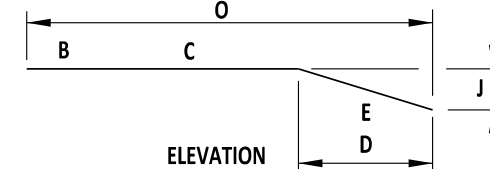


TYPE SP01 BAR



TYPE 16 BAR

TYPE 17 BAR



TYPE SP02 BAR

BAR SCHEDULE														
MARK	SIZE	QTY.	LENGTH	TYPE	B	C	D	E	F	H	J	K	L	O
5B1E	5	2	8'-6"	16	4'-0"	5 1/2"	4'-0 1/2"	-	-	4'-0"	-	5 3/4"	-	11 1/4"
5B2E	5	1	8'-6"	16	4'-0"	6"	4'-0 1/2"	-	-	4'-0"	-	4 3/4"	-	10 3/4"
5B3E	5	1	8'-6 1/2"	16	4'-0"	6 1/2"	4'-0 1/2"	-	-	4'-0"	-	3 3/4"	-	10 1/4"
5B4E	5	1	8'-7"	16	4'-0"	7"	4'-0 1/2"	-	-	4'-0"	-	2 3/4"	-	9 3/4"
5B5E	5	1	8'-7 1/2"	16	4'-0"	7 1/2"	4'-0 1/2"	-	-	4'-0"	-	1 3/4"	-	9 1/4"
5B6E	5	1	8'-8"	16	4'-0"	8"	4'-0 1/2"	-	-	4'-0"	-	3/4"	-	8 3/4"
5B7E	5	1	8'-8"	17	4'-0"	8"	4'-0"	-	-	-	-	-	-	-
5B8E	5	1	8'-5 1/2"	17	3'-10 3/4"	8"	3'-10 3/4"	-	-	-	-	-	-	-
5B9E	5	1	8'-3"	17	3'-9 1/2"	8"	3'-9 1/2"	-	-	-	-	-	-	-
5B10E	5	1	8'-0 1/2"	17	3'-8 1/4"	8"	3'-8 1/4"	-	-	-	-	-	-	-
5B11E	5	1	3'-6 3/4"	STR	-	-	-	-	-	-	-	-	-	-
5B12E	5	1	3'-5 1/4"	STR	-	-	-	-	-	-	-	-	-	-
5B13E	5	1	5'-6 1/2"	17	3'-6 3/4"	8"	1'-3 3/4"	-	-	-	-	-	-	-
5B14E	5	1	5'-2"	17	3'-5 1/4"	6 1/2"	1'-2 1/4"	-	-	-	-	-	-	-
5B15E	5	1	7'-11"	SP02	8"	4'-0"	3'-2 1/2"	3'-3"	-	2 1/4"	6 1/2"	4'-0"	-	7'-10 1/2"
5B16E	5	1	7'-10 1/2"	31	8"	4'-0"	3'-2 1/2"	-	-	1 1/2"	-	4'-0"	-	7'-10 1/2"
5B17E	5	1	7'-10 1/2"	31	8"	4'-0"	3'-2 1/2"	-	-	1/2"	-	4'-0"	-	7'-10 1/2"
5B18E	5	1	8'-0 1/2"	SP01	1'-4 1/2"	2'-0"	4'-0"	8"	3/4"	3 1/2"	4'-0"	1'-4"	-	8'-0"
5B19E	5	1	8'-0 1/2"	SP01	1'-4 1/2"	2'-0"	4'-0"	8"	2"	3 1/2"	4'-0"	1'-4"	-	8'-0"
5B20E	5	1	7'-11"	31	4'-8"	3'-3"	-	-	-	6 1/2"	-	3'-2 1/2"	-	7'-10 1/2"
5B21E	5	4	8'-0"	STR	-	-	-	-	-	-	-	-	-	-

- NOTES:**
 1). CONCRETE CLEAR COVER FOR REINFORCEMENT BARS SHALL BE 2" MINIMUM, UNLESS NOTED OTHERWISE.
 2). F.F. = FRONT FACE
 R.F. = REAR FACE



ENGINEERING SUPPORT
 RECOMMENDED
 DATE: 09/01/2020

THRIE-BEAM AGT TO CONCRETE BUTTRESS - 42" F-SHAPE TRANSITION
 STANDARD NO. B-11 (2020) SHT. 6 OF 8

REVIEWED
 APPROVED
 DEPUTY DIRECTOR - DESIGN
 CHIEF ENGINEER
 DATE: 09/01/2020

TL-4