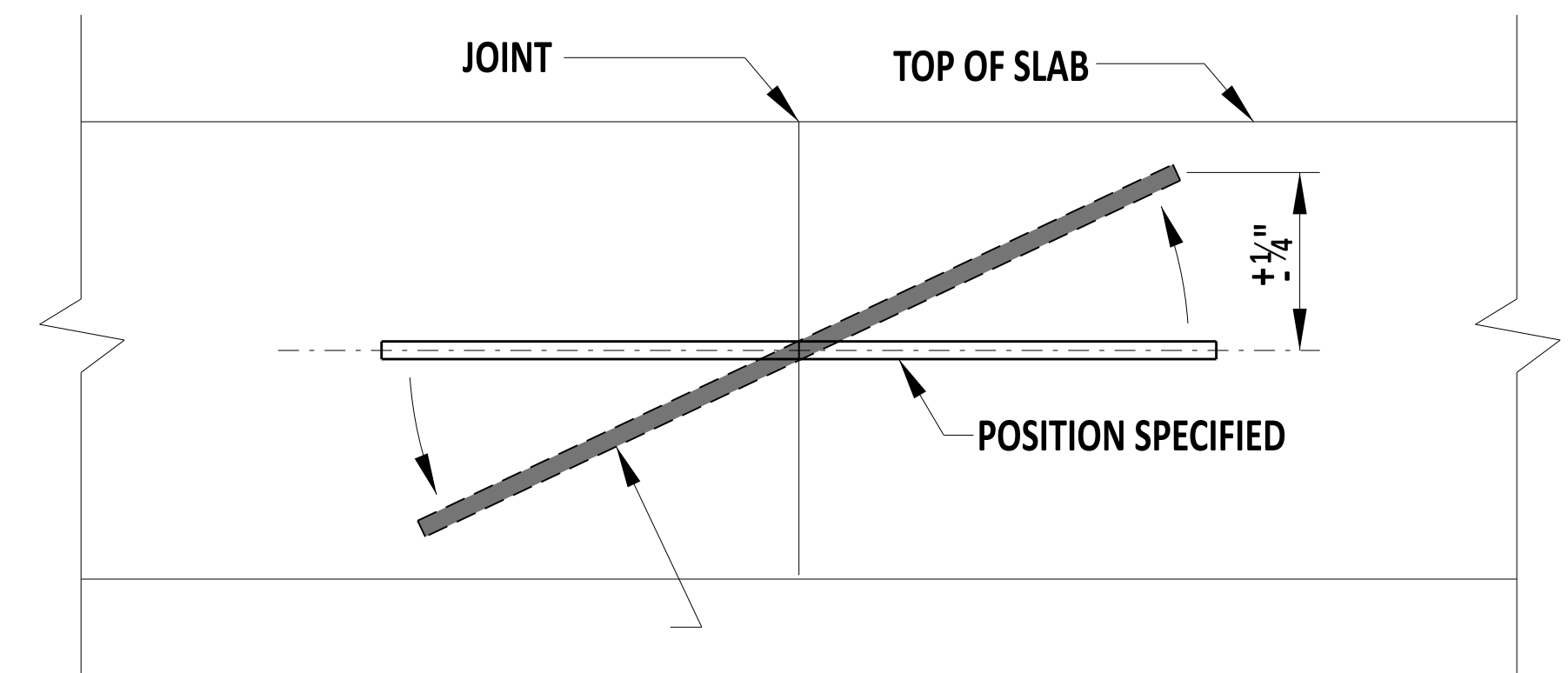
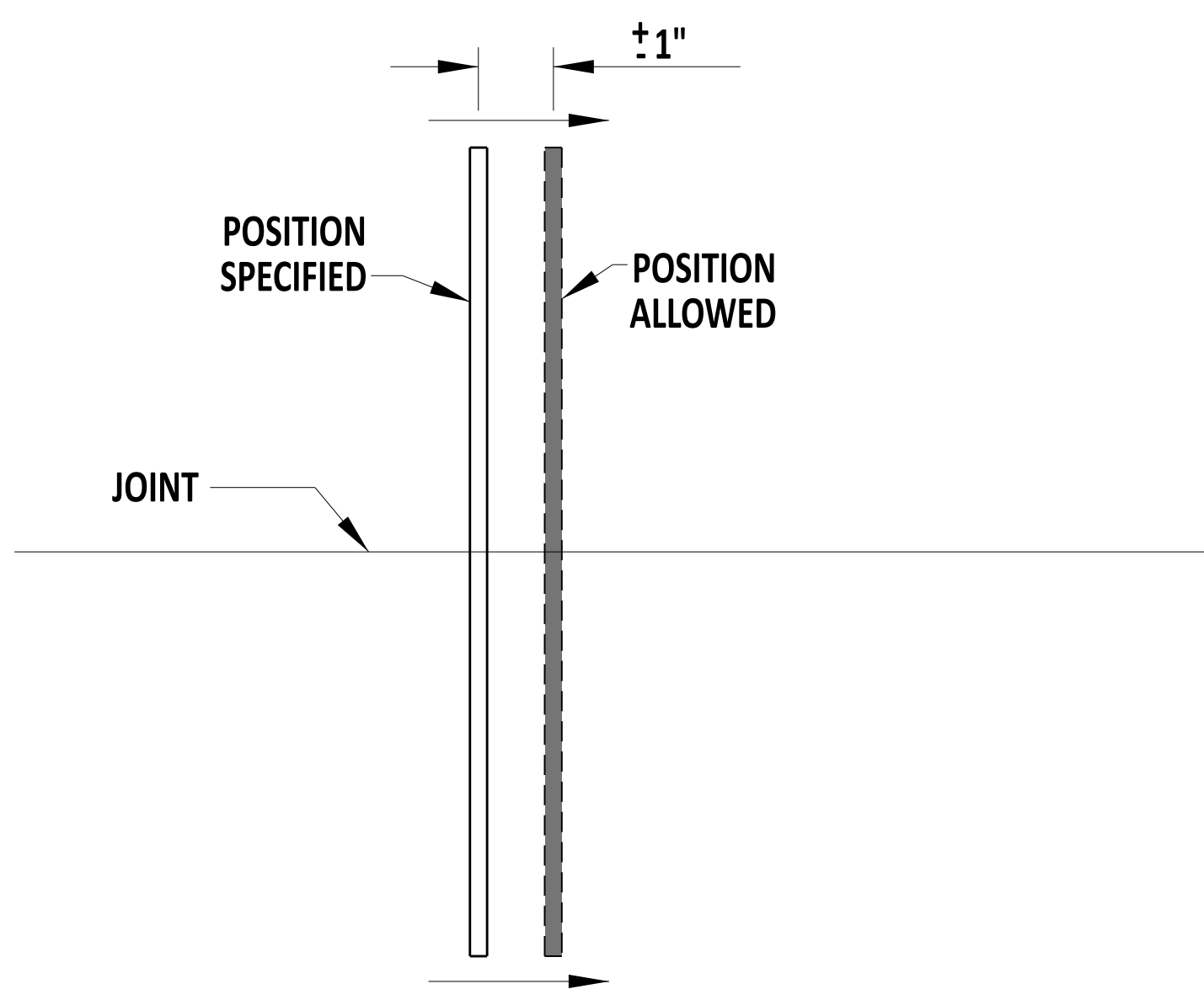


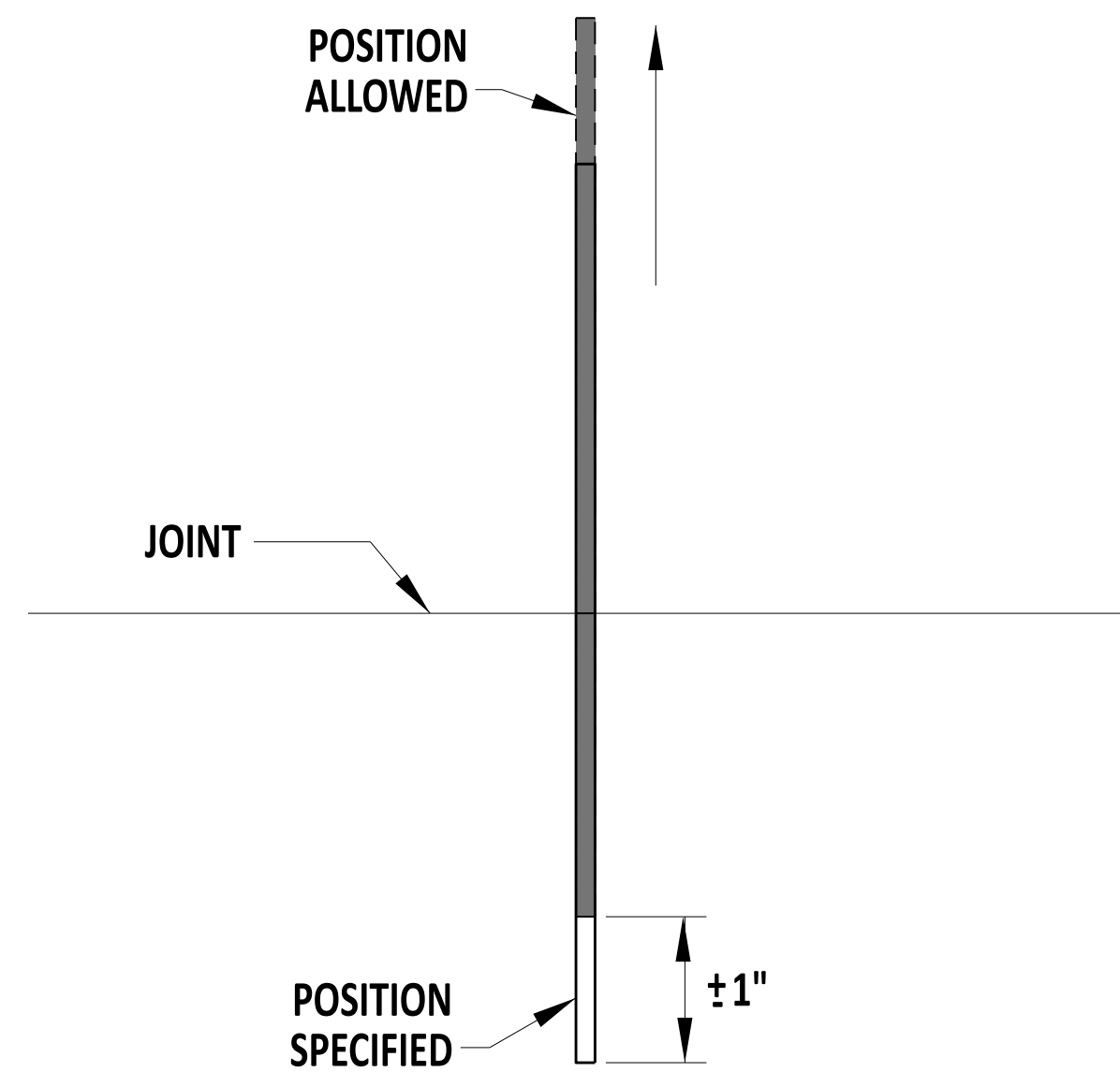
VERTICAL TRANSLATION



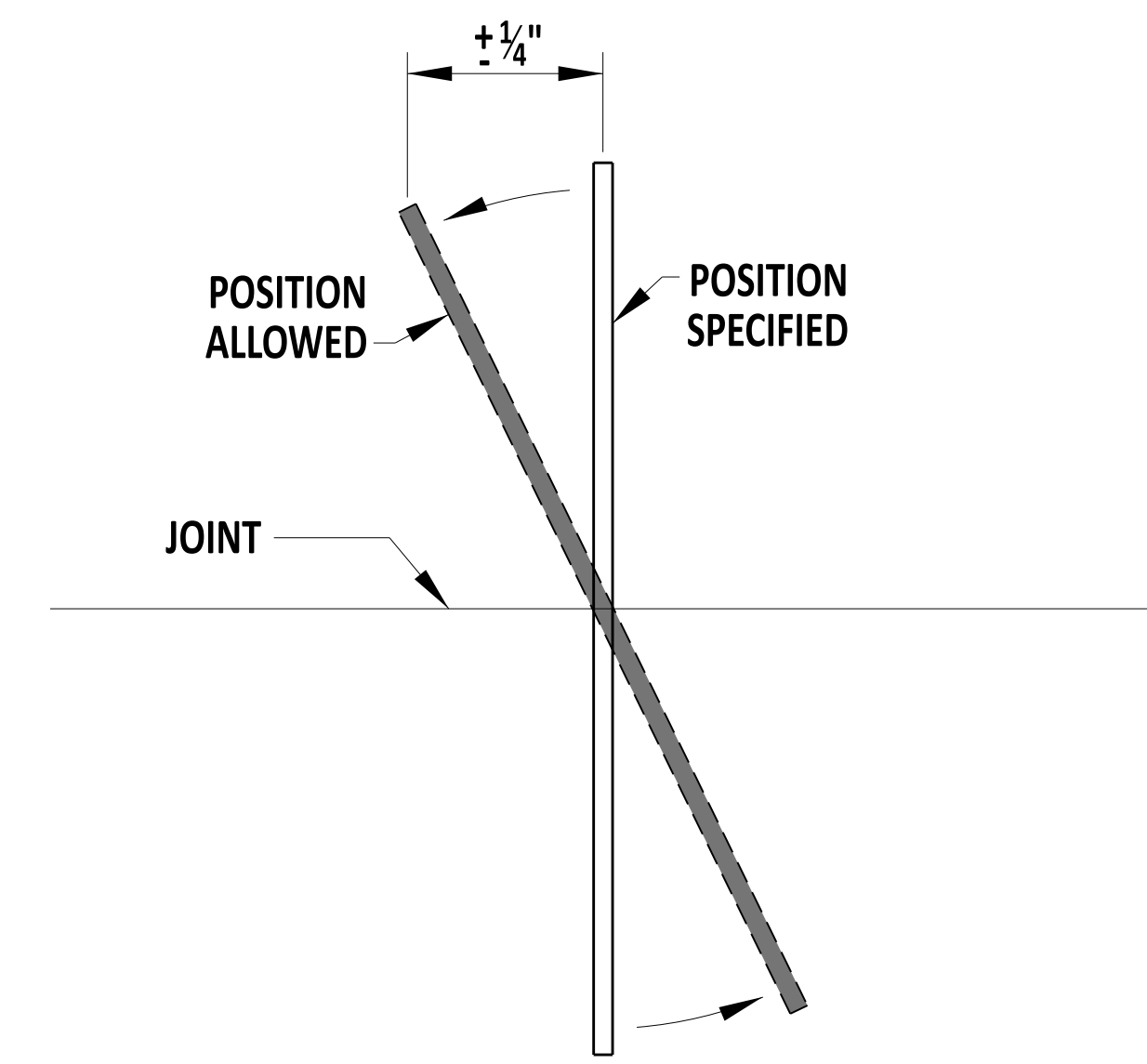
VERTICAL ROTATION



HORIZONTAL TRANSLATION



LONGITUDINAL TRANSLATION



HORIZONTAL ROTATION

DOWEL & TIE BAR PLACEMENT TOLERANCES



Andrew Shott
 ENGINEERING SUPPORT 12/22/2023 DATE
RECOMMENDED

DOWEL AND TIE BAR PLACEMENT TOLERANCE			
STANDARD NO.	P-1 (2024)	SHT. 4	OF 4

REVIEWED *[Signature]* 22 December 2023
DEPUTY DIRECTOR - DESIGN DATE

APPROVED *[Signature]* 01/11/2024
CHIEF ENGINEER DATE