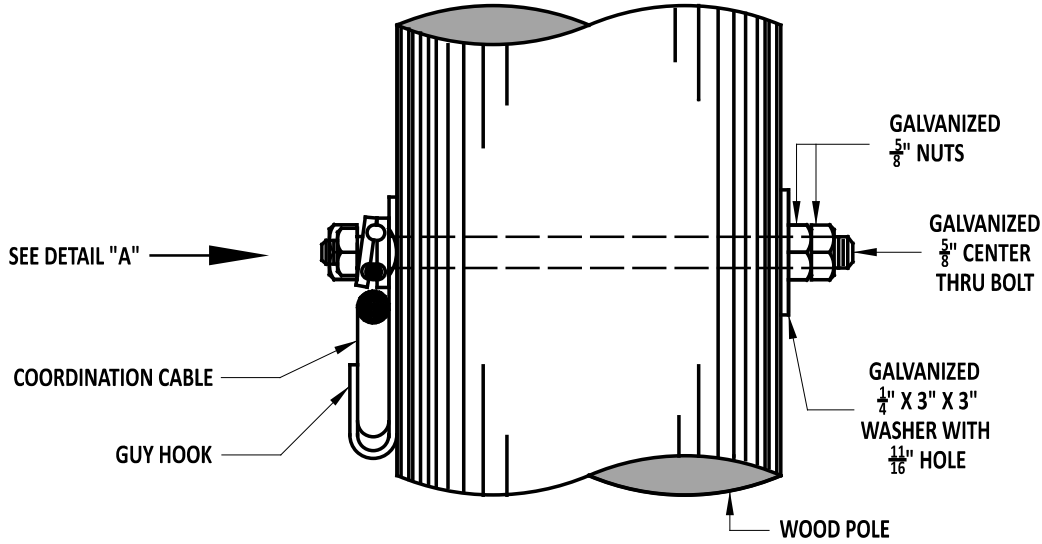
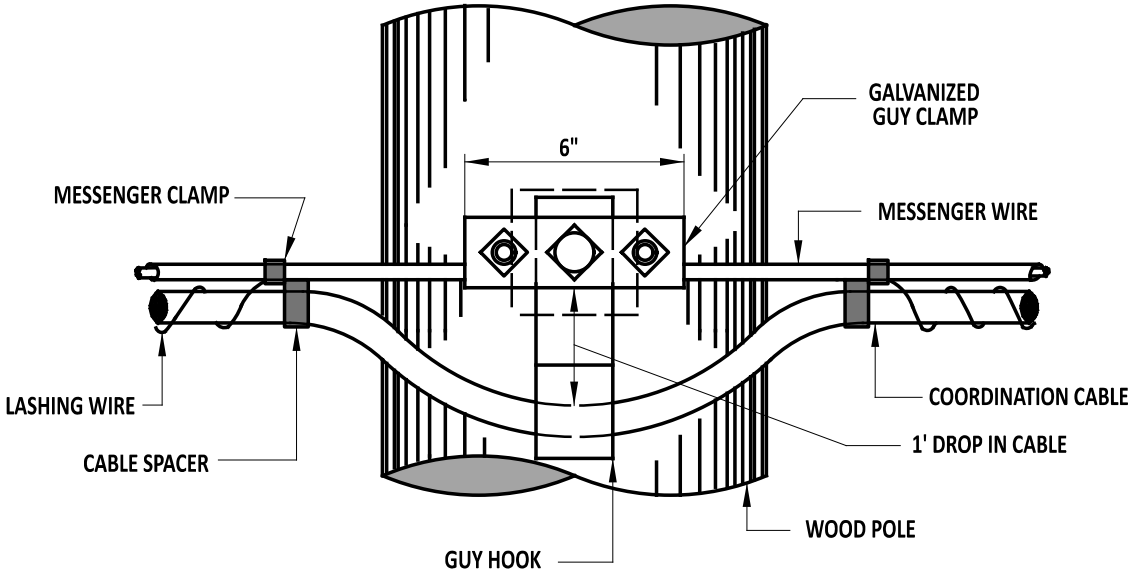


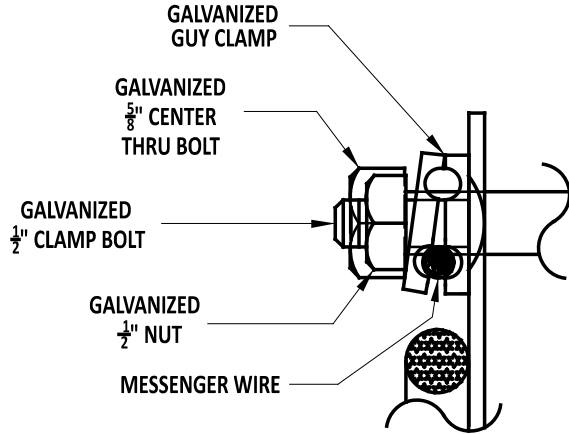
INTERMEDIATE



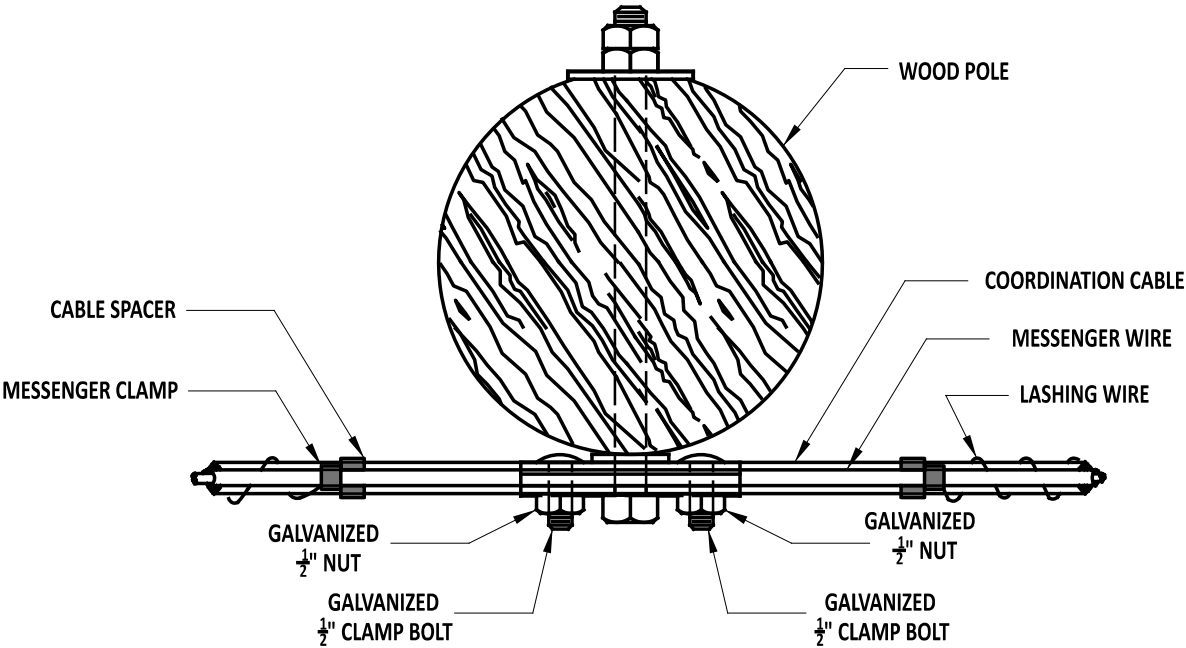
SIDE VIEW



FRONT VIEW



DETAIL "A"



TOP VIEW




 ENGINEERING SUPPORT DATE 09/01/2020
RECOMMENDED

MESSENGER WIRE ATTACHMENT -
INTERMEDIATE MESSENGER WIRE ATTACHMENT ON WOOD POLES
 STANDARD NO. T-11 (2020) SHT. 1 OF 2

REVIEWED 
 DEPUTY DIRECTOR - DESIGN DATE 09/01/2020
 APPROVED 
 CHIEF ENGINEER DATE 09/01/2020