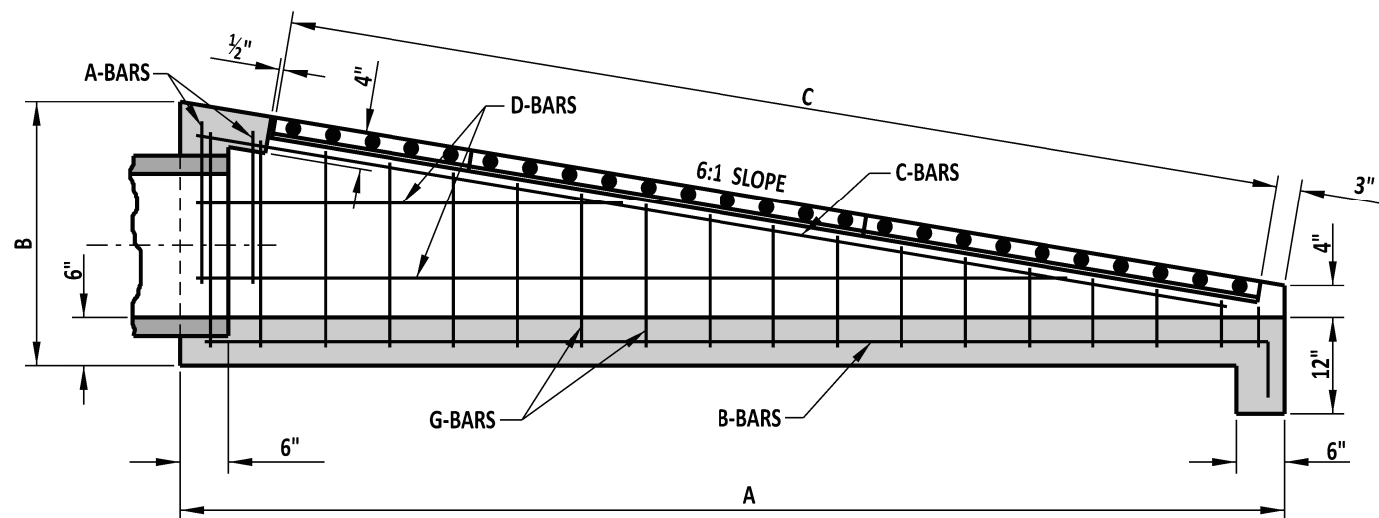
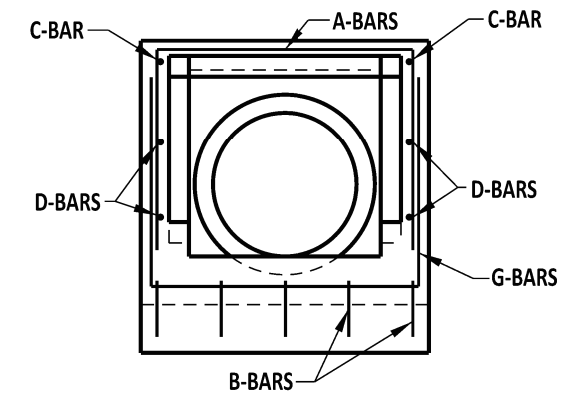


PLAN VIEW
SHOWN WITHOUT GRATE

NOTE: 6:1 SAFETY END STRUCTURE TO BE PRECAST



SECTION A-A



FRONT VIEW



DELAWARE
DEPARTMENT OF TRANSPORTATION

6:1 CONCRETE SAFETY END STRUCTURE

STANDARD NO. D-1 (2018)

SHT. 1 OF 2

APPROVED

SIGNATURE ON FILE
CHIEF ENGINEER

1/04/2019
DATE

RECOMMENDED

SIGNATURE ON FILE
DESIGN ENGINEER

12/20/2018
DATE