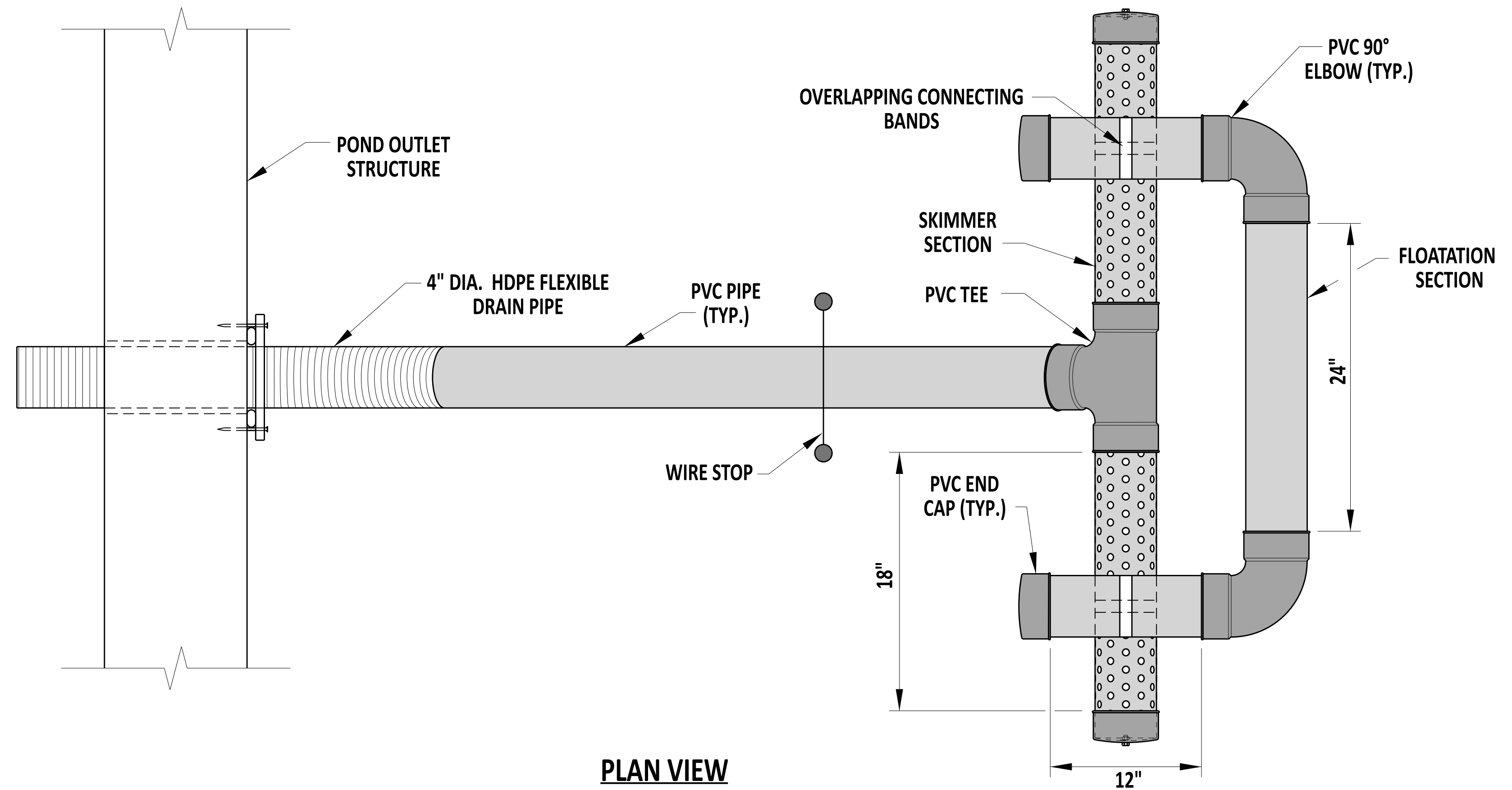


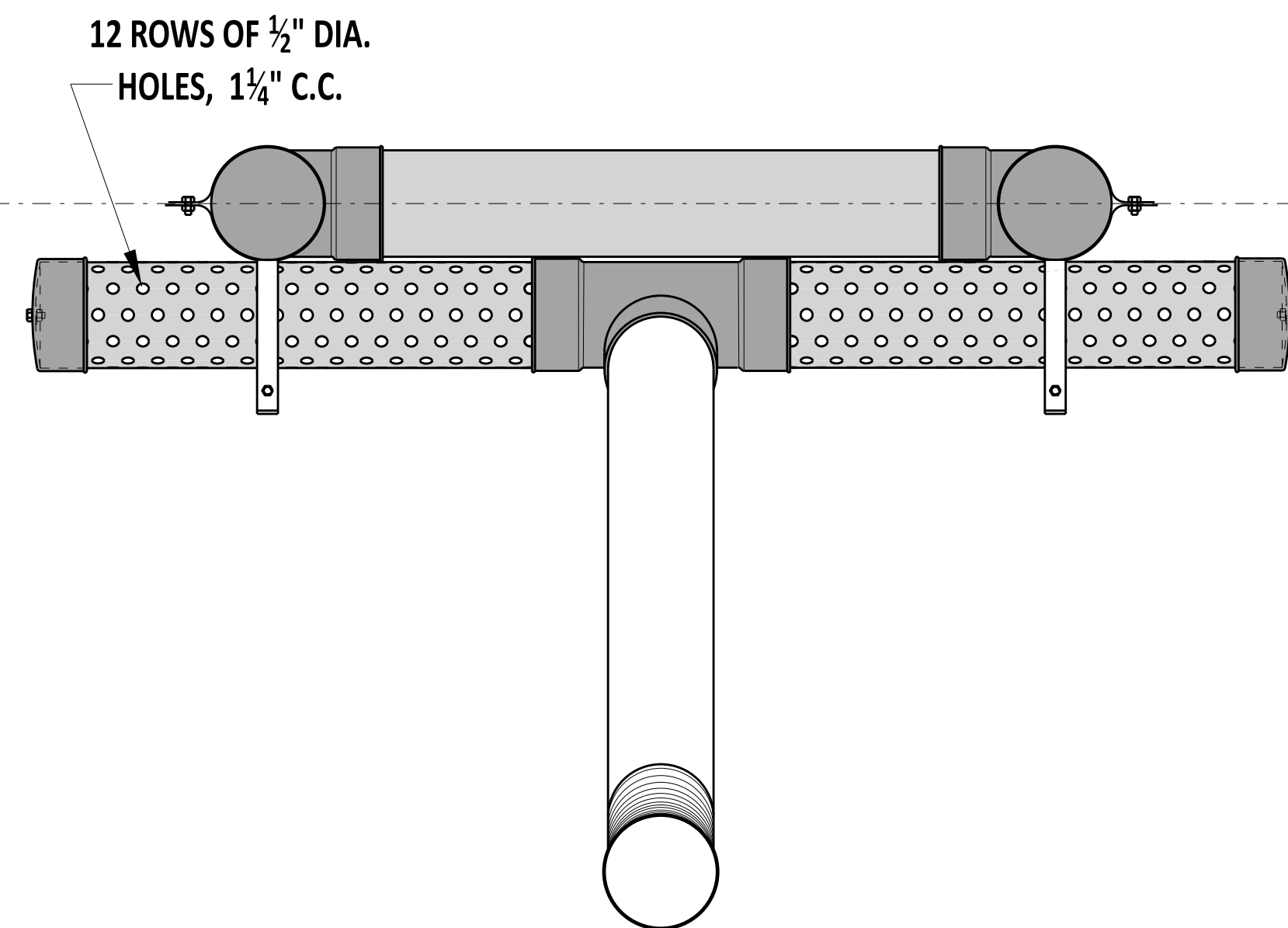
NOTES:

- 1). ALL PVC PIPES ARE 4" NOMINAL DIAMETER.
- 2). SOLVENT WELD ALL JOINTS OF THE FLOTATION SECTION.
- 3). ATTACH A 4" HDPE FLEXIBLE DRAIN PIPE TO THE POND OUTLET STRUCTURE USING WATER TIGHT CONNECTIONS.
- 4). FOR ANY NON-TYPICAL SKIMMER OUTLET CONNECTION, SUBMIT A SHOP DRAWING FOR ENGINEER APPROVAL.

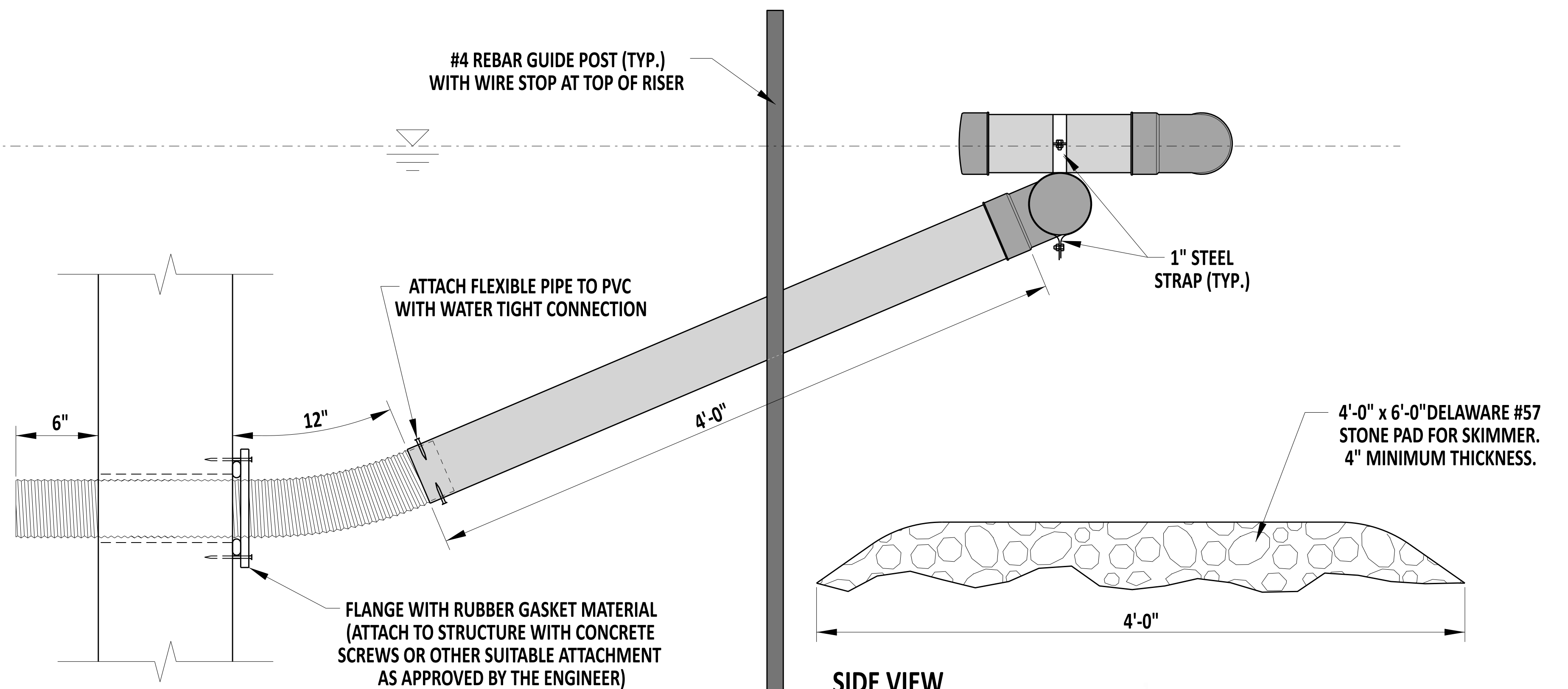
SCALE : NTS



PLAN VIEW



FRONT VIEW



SIDE VIEW



Andrew Short
 ENGINEERING SUPPORT DATE 12/22/2023
RECOMMENDED

SKIMMER DEWATERING DEVICE

STANDARD NO. E-8 (2024) SHT. 1 OF 1

REVIEWED

[Signature]
 DEPUTY DIRECTOR - DESIGN 22 December 2023
 DATE

APPROVED

[Signature]
 CHIEF ENGINEER 01/11/2024
 DATE