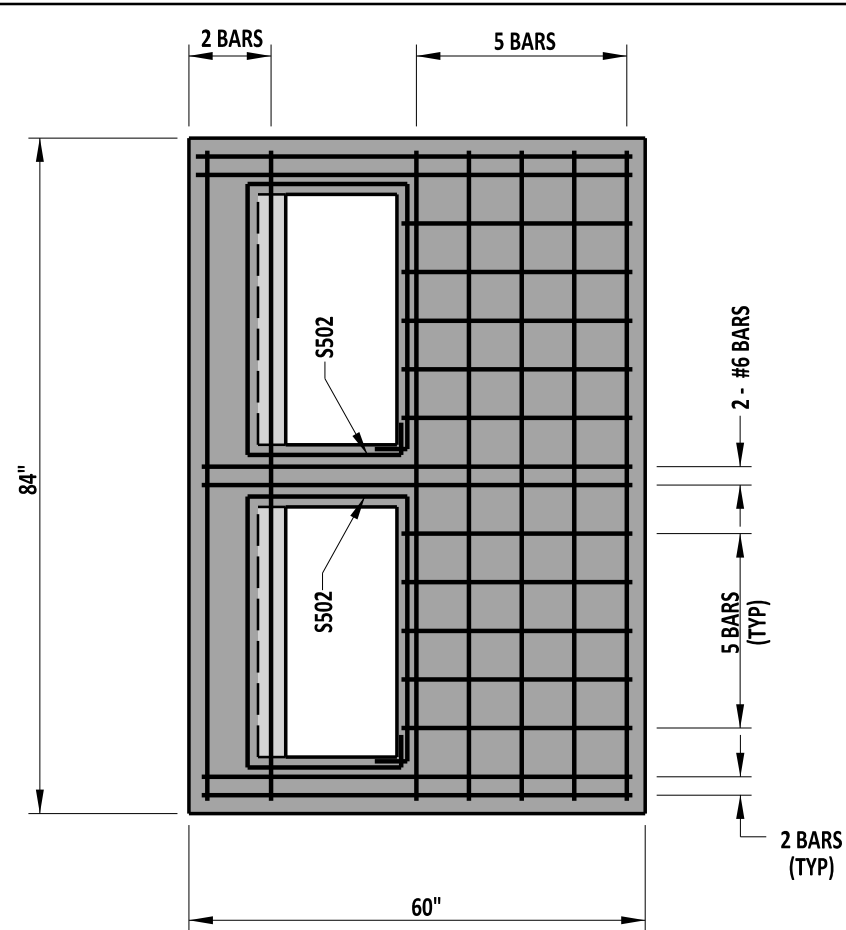
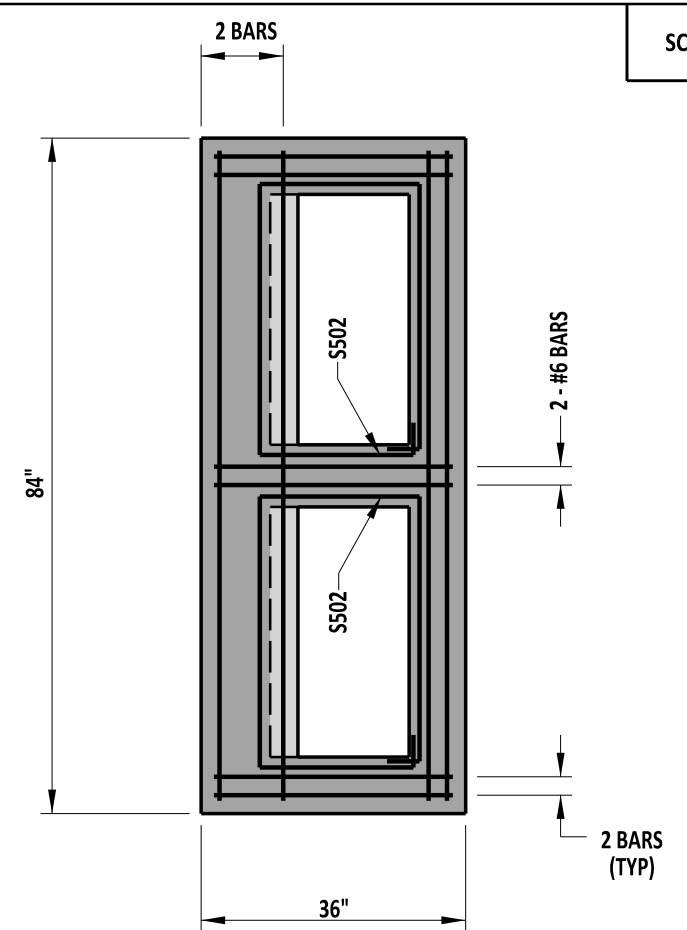


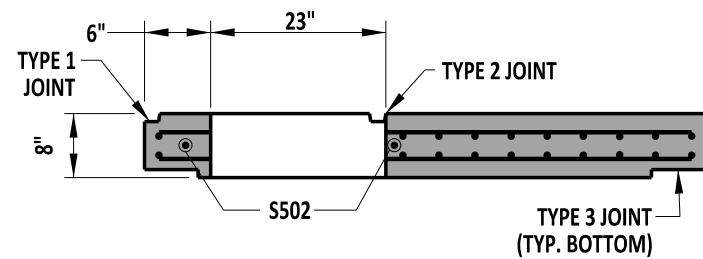
72" x 72" INLET



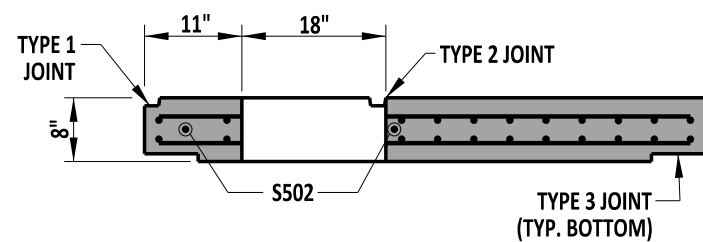
72" x 48" INLET



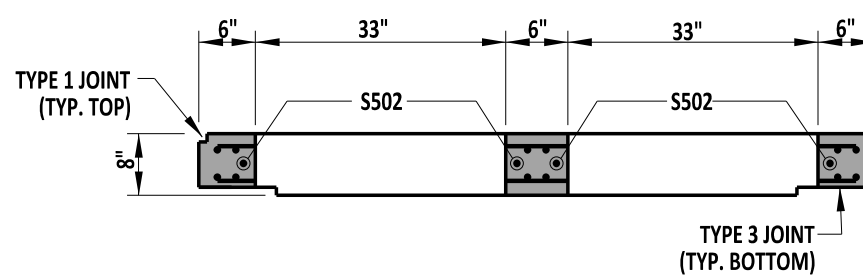
72" x 24" INLET



**SECTION B-B
FOR TYPE B TOP UNITS**



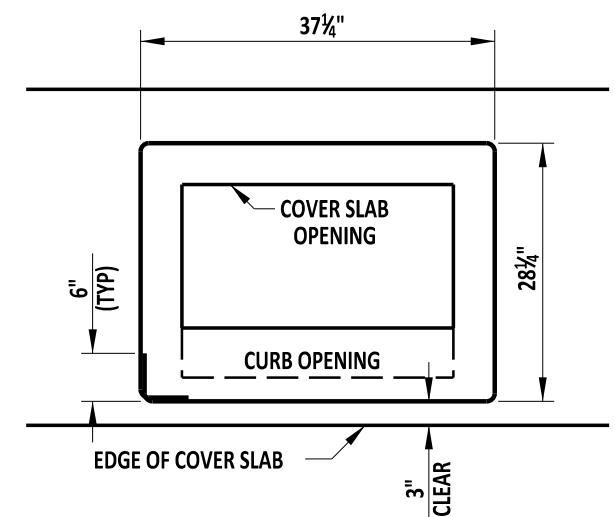
**SECTION B-B
FOR TYPES A, C, D, & E TOP UNITS**



SECTION A-A

NOTES:

- 1). RELOCATE ENCRANCHING REINFORCING BARS WHEN USING TYPE B UNIT.
- 2). USE PRECAST COVER SLABS THAT ARE SIZED TO FIT INLET BOX OUTER DIMENSIONS (SEE DIMENSIONS DENOTED WITH *).
- 3). ALL BARS ARE TO BE #5 SPACED @ 6" UNLESS NOTED OTHERWISE. USE 0.12 SQ. IN. PER FOOT (MIN.) TOP HORIZONTAL REINFORCEMENT IN BOTH DIRECTIONS.
- 4). MINIMUM BAR COVER = 1 1/2".
- 5). JOINTS ARE OMITTED FROM PLAN VIEWS FOR CLARITY.



S502 BENDING DIAGRAM

#5 BAR IS TO BE CONTINUOUS OR WITH A 12" OVERLAP BETWEEN BARS.



ENGINEERING SUPPORT

 09/01/2020
 DATE
RECOMMENDED

DOUBLE INLET COVER SLAB
 STANDARD NO. D-5 (2020) SHT. 5 OF 9

REVIEWED

 DEPUTY DIRECTOR - DESIGN 09/01/2020
 DATE
 APPROVED

 CHIEF ENGINEER 09/01/2020
 DATE