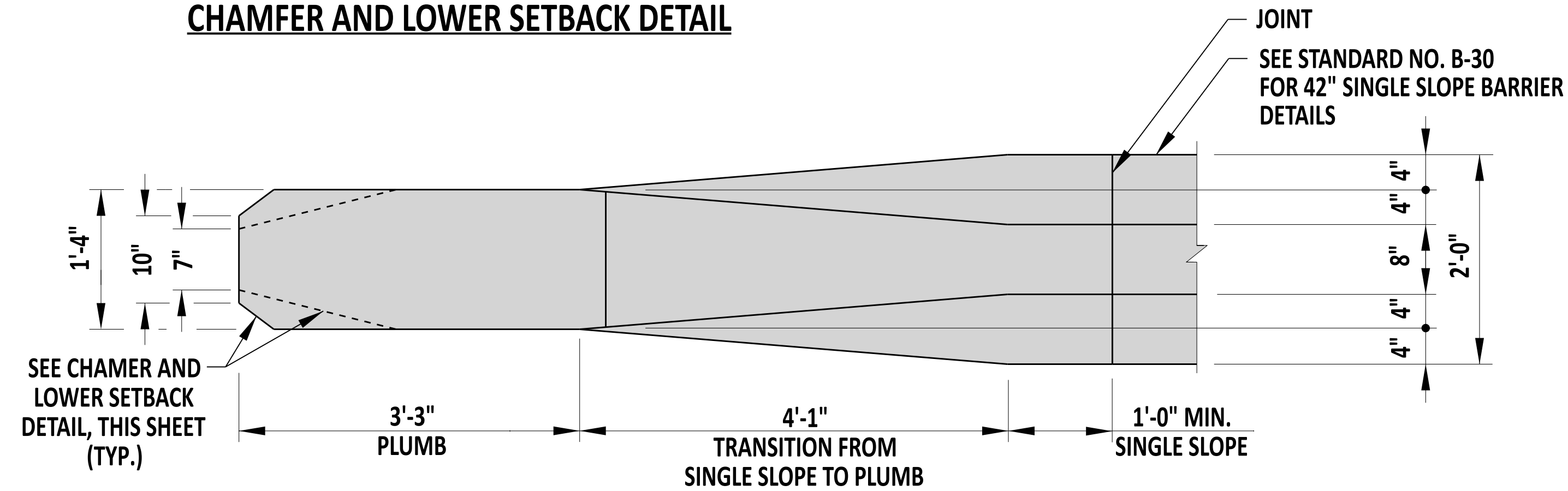
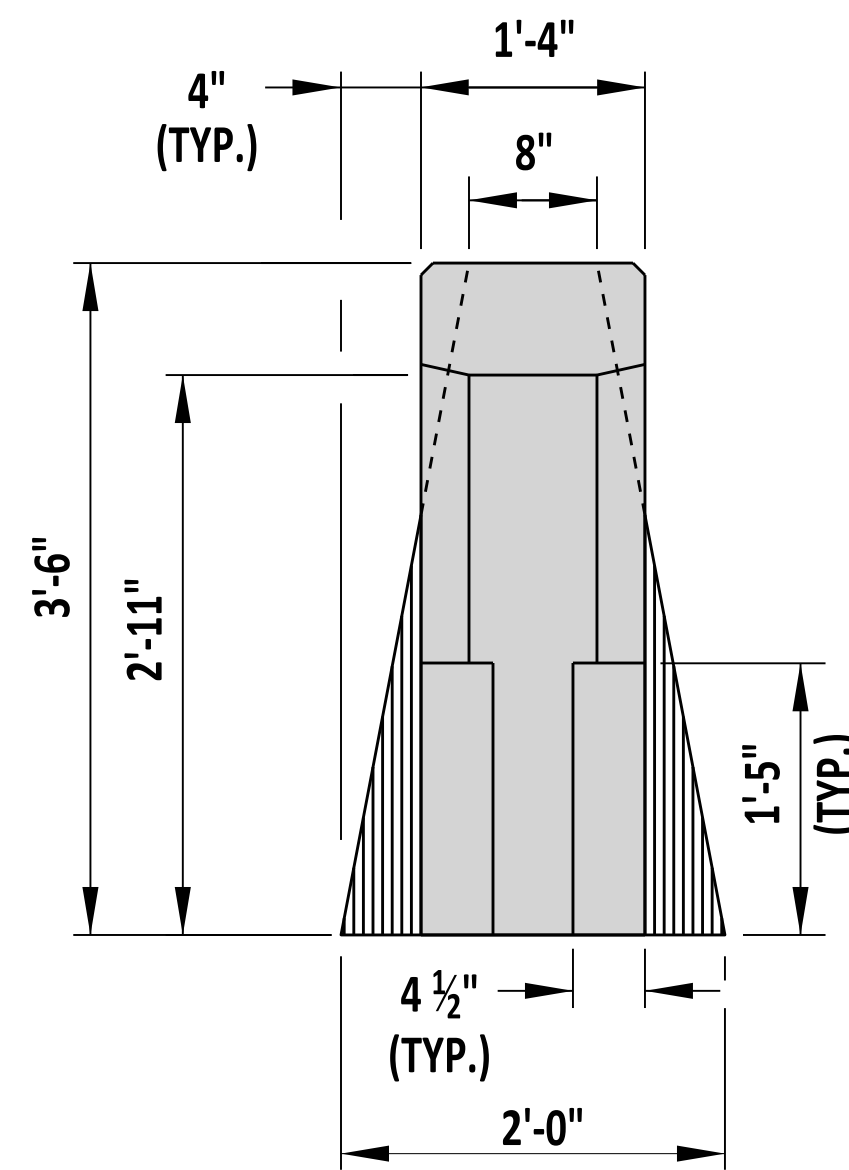


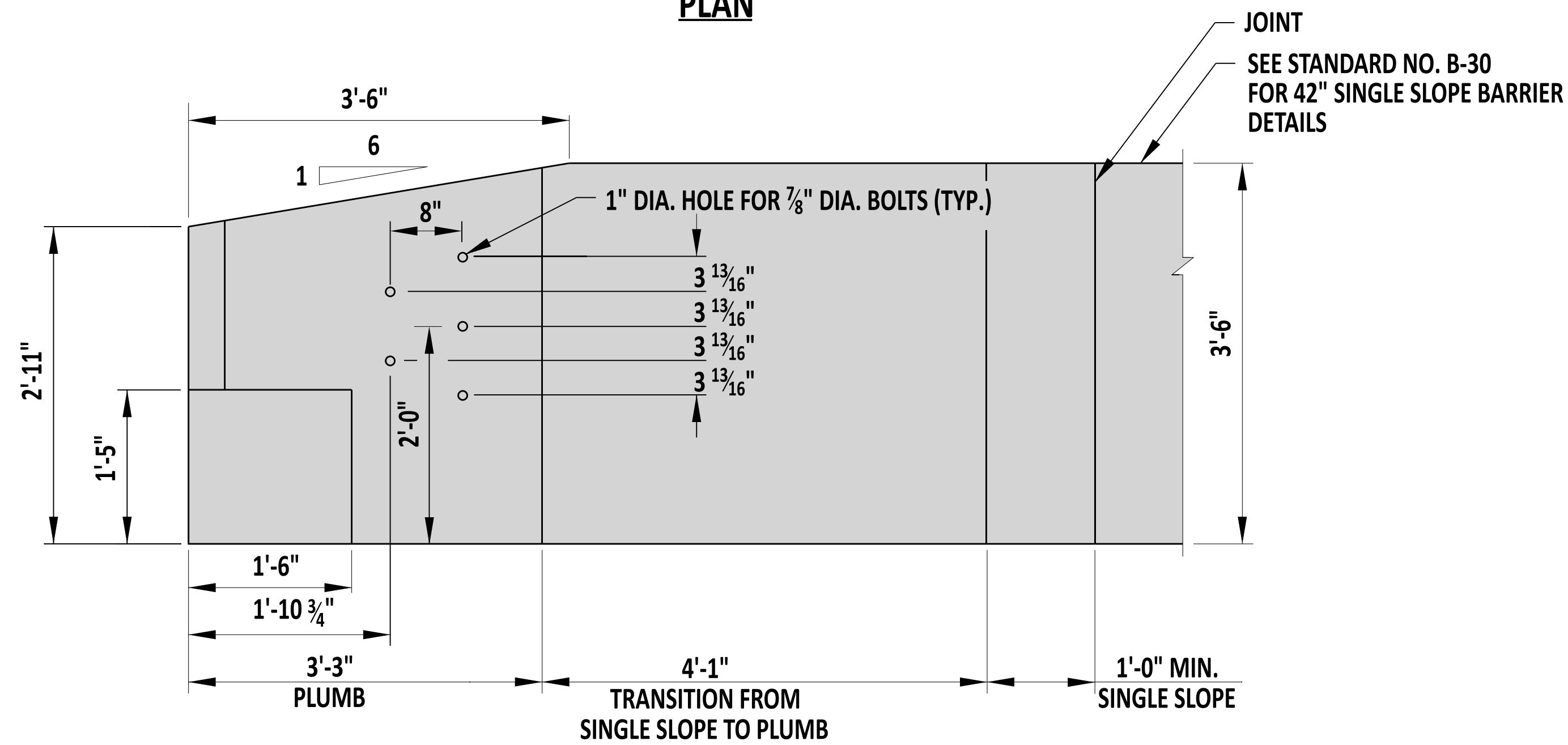
**CHAMFER AND LOWER SETBACK DETAIL**



**PLAN**



**END VIEW**



**ELEVATION**

**NOTES:**

- 1). THRIE-BEAM GUARDRAIL NOT SHOWN. SEE STANDARD NO. B-10 FOR MORE INFORMATION ON THRIE-BEAM CONNECTION.
- 2). FOUNDATION NOT SHOWN. BUTTRESS SHALL BE CONSTRUCTED ON A FOOTING THAT MATCHES THE ADJACENT CONCRETE BARRIER FOOTING.
- 3). CHAMFER ALL EXPOSED EDGES  $\frac{3}{4}$ " x  $\frac{3}{4}$ ", UNLESS NOTED OTHERWISE.
- 4). SEE SHEET 8 FOR BUTTRESS REINFORCEMENT DETAILS.

TL-5



*Andrew Short*  
ENGINEERING SUPPORT  
RECOMMENDED  
DATE 12/22/2023

**THRIE-BEAM AGT TO CONCRETE BUTTRESS - 42" SINGLE SLOPE TRANSITION**

STANDARD NO. B-11 (2024) SHT. 7 OF 8

REVIEWED

APPROVED

*[Signature]*  
DEPUTY DIRECTOR - DESIGN  
DATE 22 December 2023

*[Signature]*  
CHIEF ENGINEER  
DATE 01/11/2024