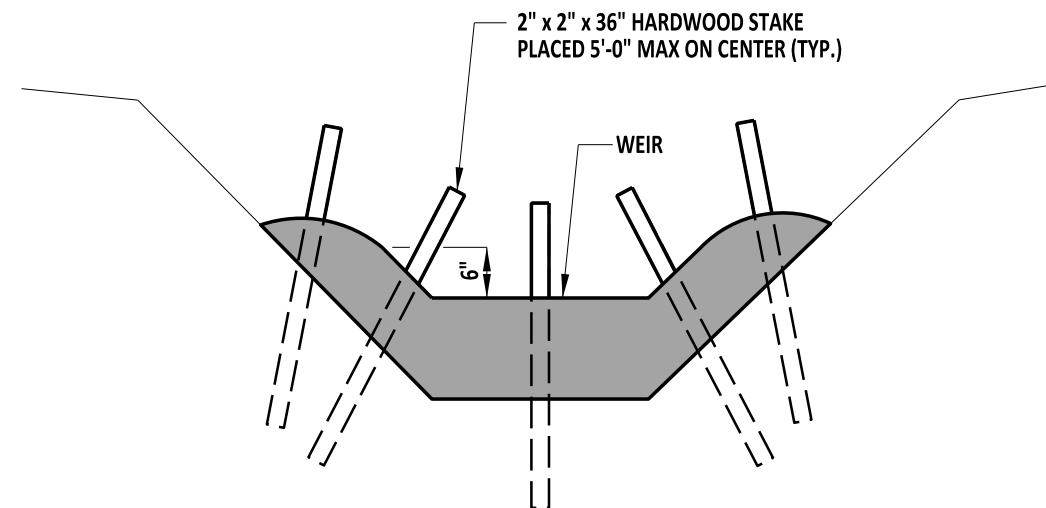


**PLAN**



**SECTION A-A**

**COMPOST FILTER LOG CHECK DAM**

- NOTES:**
- 1). THE MAXIMUM HEIGHT OF THE CHECK DAM IS 2'-0" AT THE CENTER OF THE WEIR.
  - 2). CONSTRUCT CHECK DAM SO THAT THE CENTER OF THE DAM IS 6" LOWER THAN THE OUTER EDGES, FORMING A WEIR THAT WATER CAN FLOW ACROSS. THE ENDS OF THE COMPOST FILTER LOG SHALL WRAP UPSLOPE TO PREVENT END CUTTING.
  - 3). SPACE DAMS SO THAT THE TOE OF THE UPSTREAM DAM IS AT THE SAME ELEVATION AS THE TOP OF THE WIER OF THE DOWNSTREAM DAM. PLACE DAMS NO FURTHER THAN 200'-0" APART WHEN THE SLOPE IS LESS THAN 1%.

	 ENGINEERING SUPPORT      DATE 09/01/2020 <b>RECOMMENDED</b>	<b>CHECK DAM</b>		REVIEWED DEPUTY DIRECTOR - DESIGN      DATE 09/01/2020
	STANDARD NO.      E-9 (2020)	SHT.      2      OF      2	APPROVED CHIEF ENGINEER      DATE 09/01/2020	