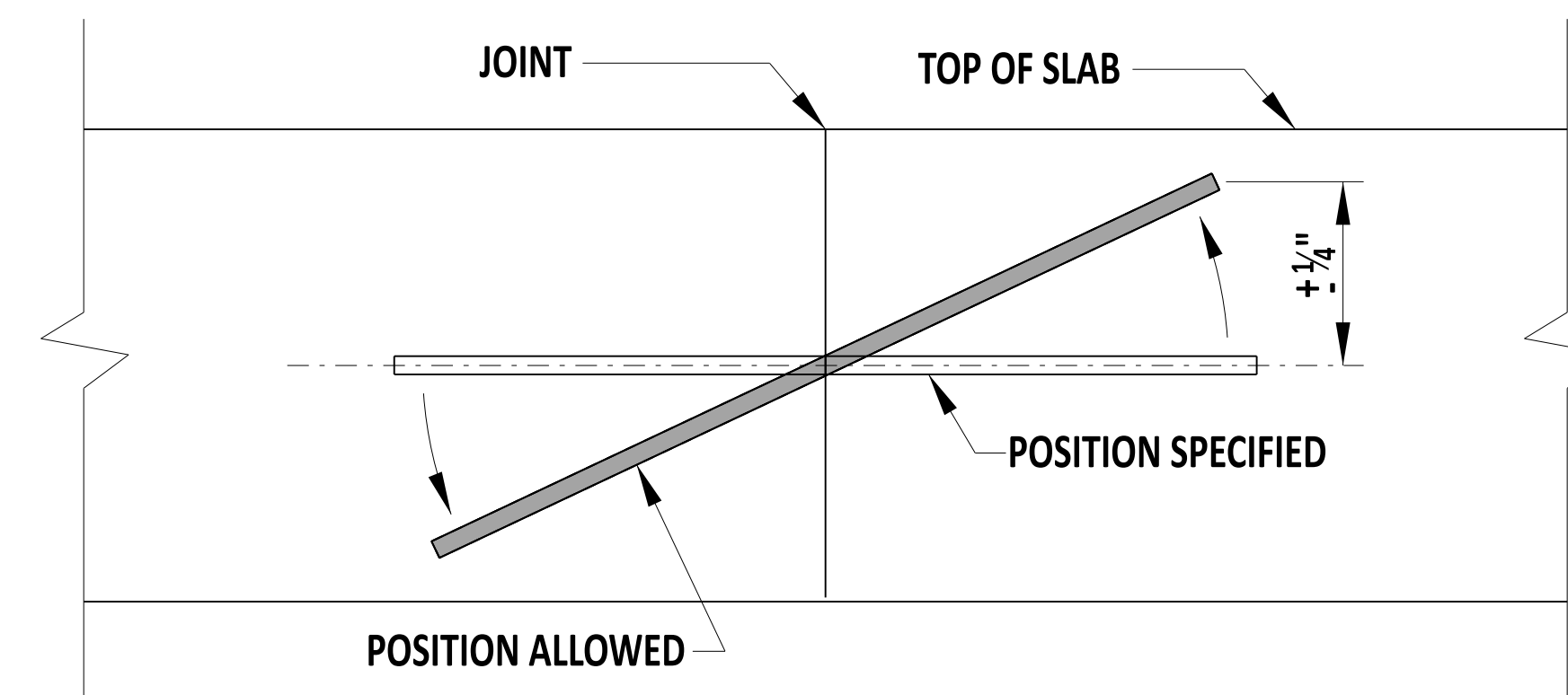
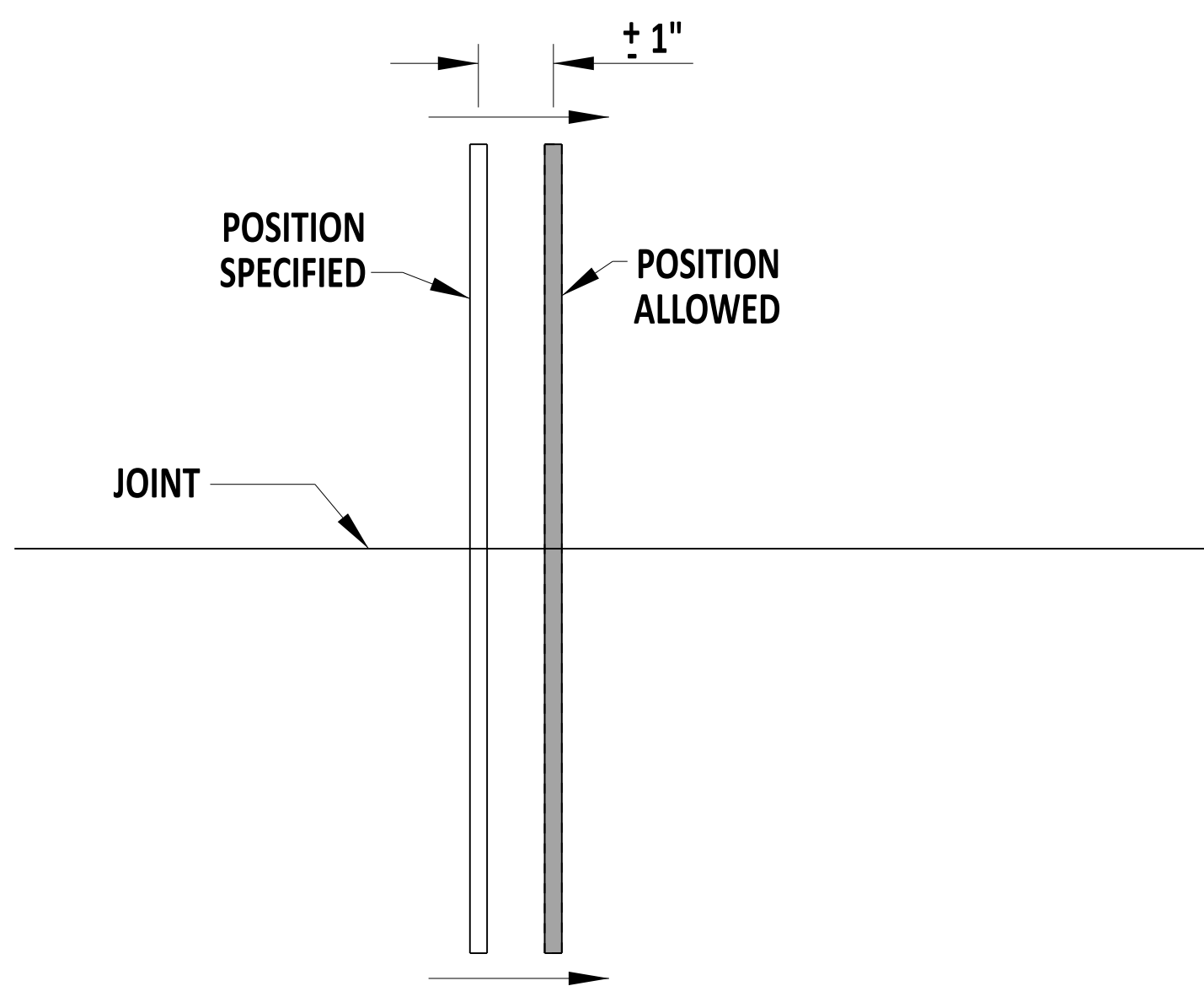


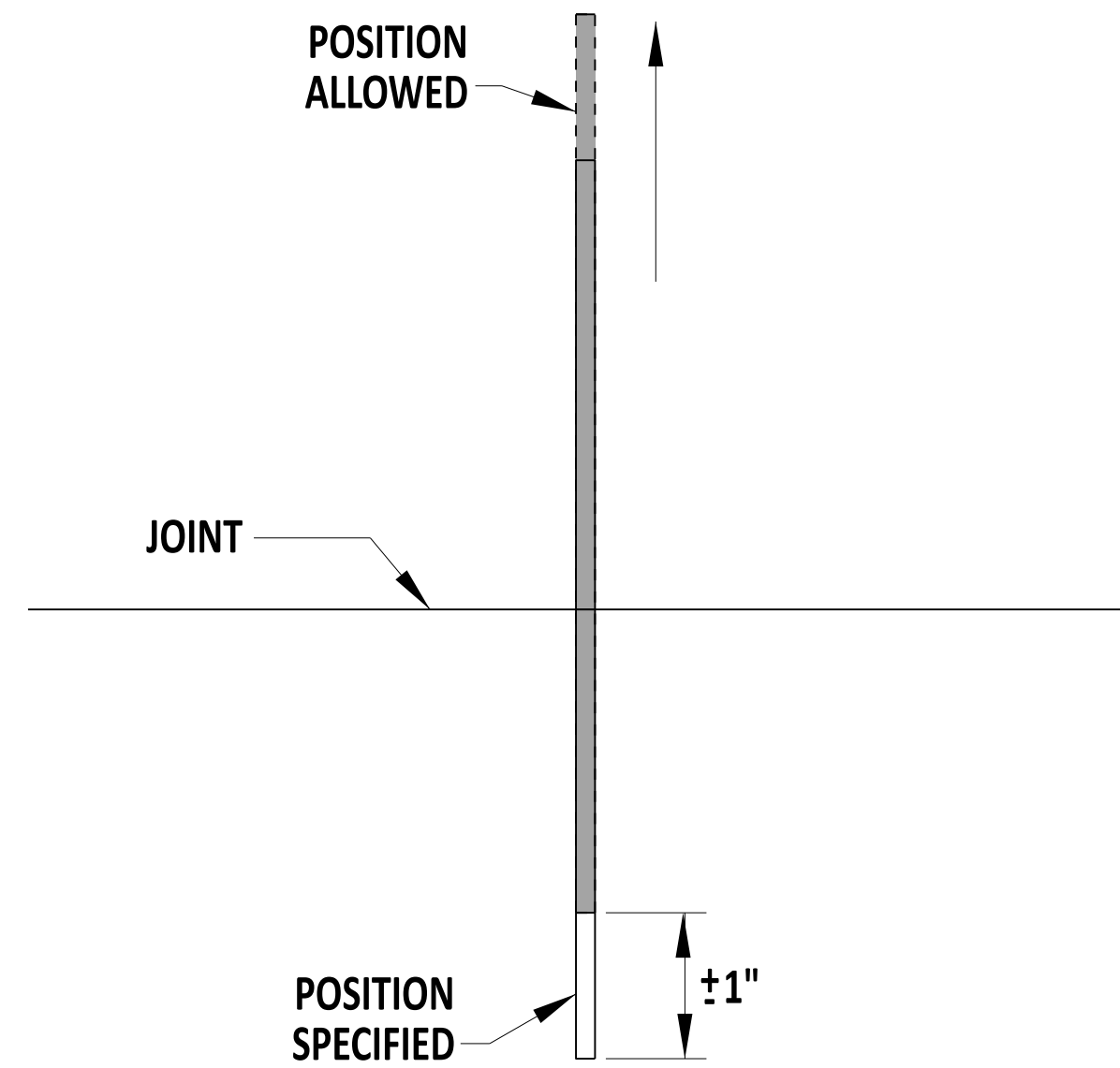
VERTICAL TRANSLATION



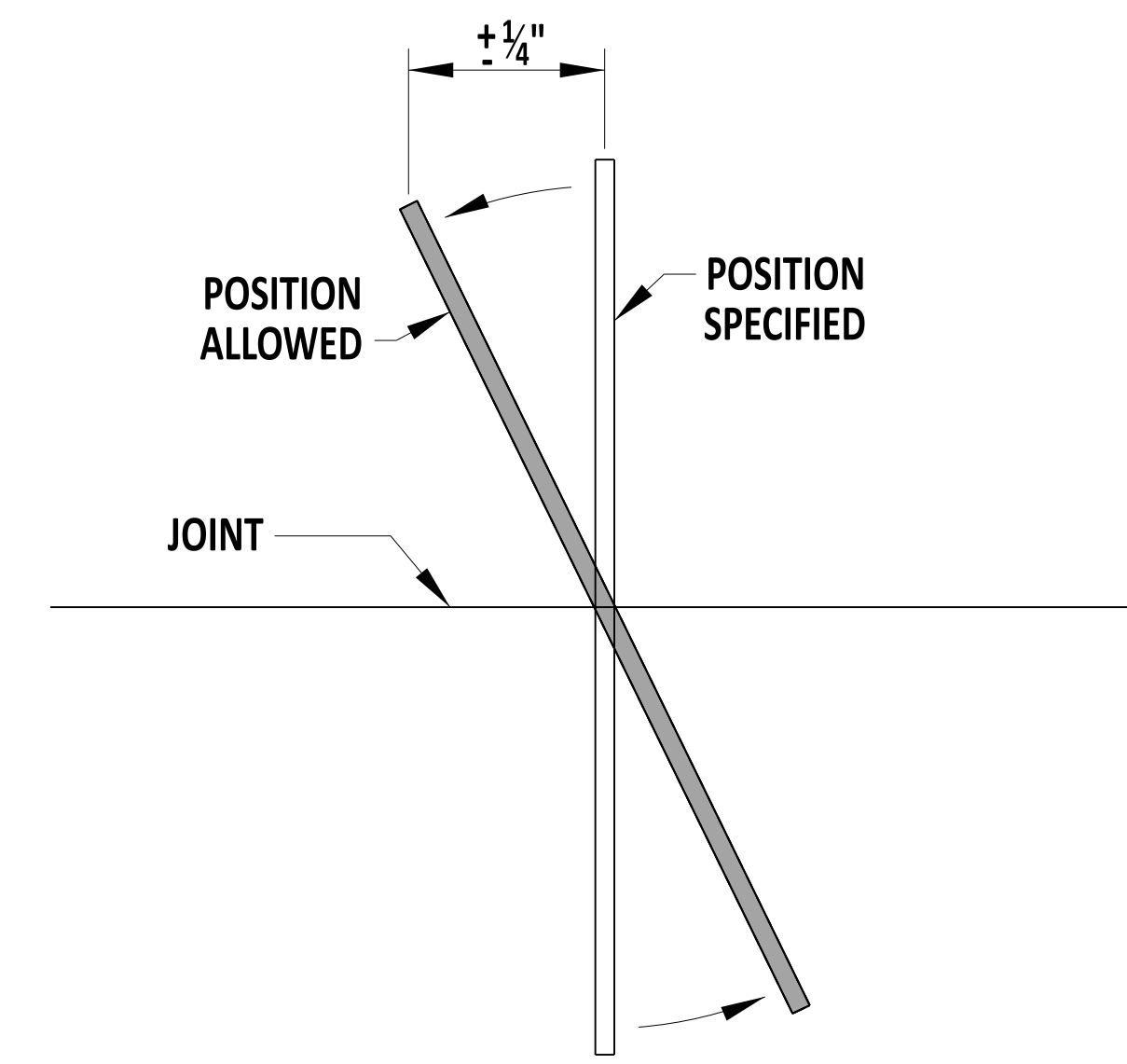
VERTICAL ROTATION



HORIZONTAL TRANSLATION



LONGITUDINAL TRANSLATION



HORIZONTAL ROTATION

DOWEL & TIE BAR PLACEMENT TOLERANCES
PLACE TIE BARS IN ACCORDANCE WITH SECTION 503

FULL DEPTH PATCH



Andrew Short
ENGINEERING SUPPORT 12/22/2023 DATE
RECOMMENDED

FULL DEPTH PATCH, DOWEL BAR PLACEMENT TOLERANCE
STANDARD NO. P-2 (2024) SHT. 5 OF 6

REVIEWED *[Signature]* 22 December 2023 DATE
DEPUTY DIRECTOR - DESIGN
APPROVED *[Signature]* 01/11/2024 DATE
CHIEF ENGINEER