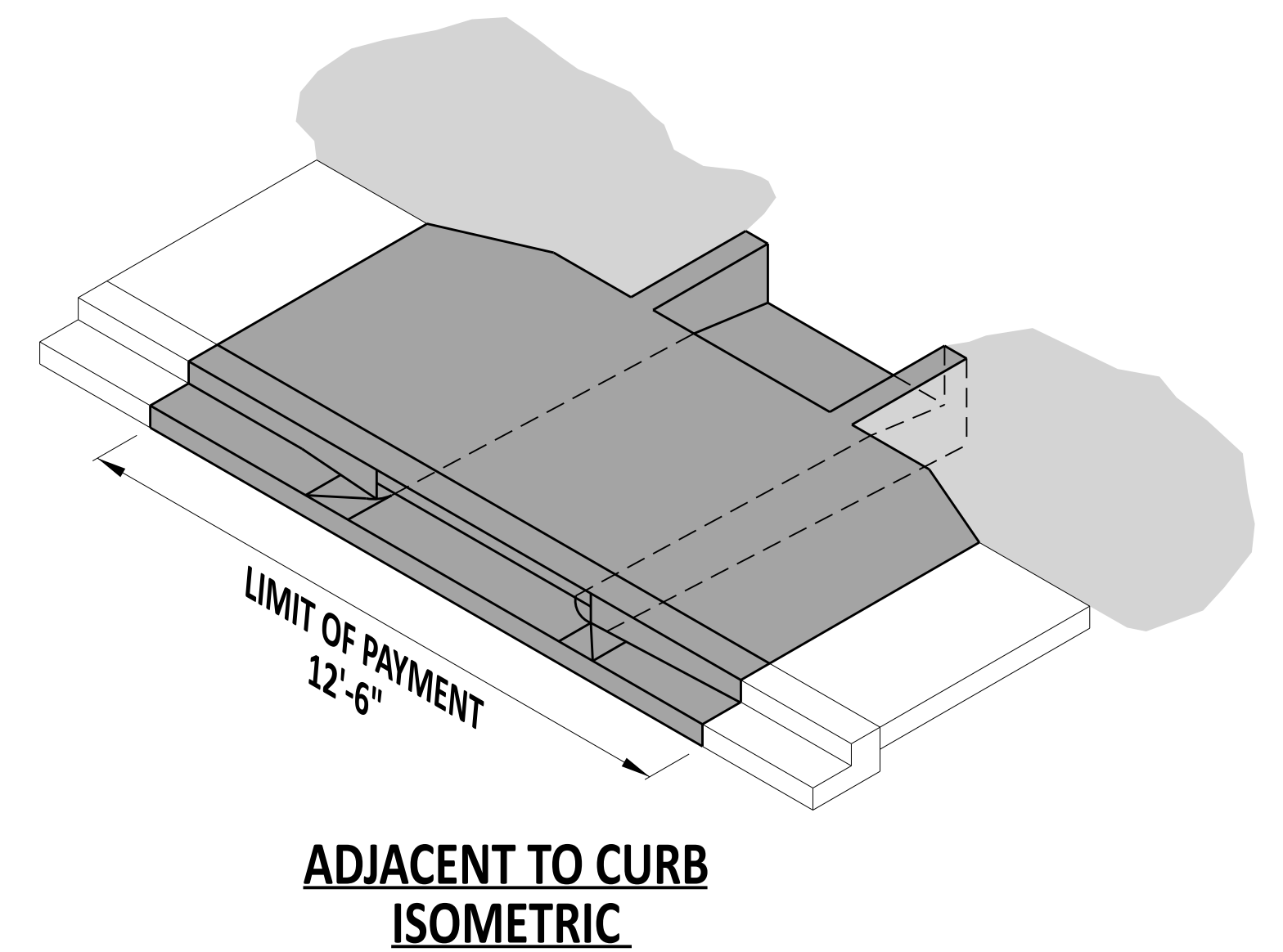
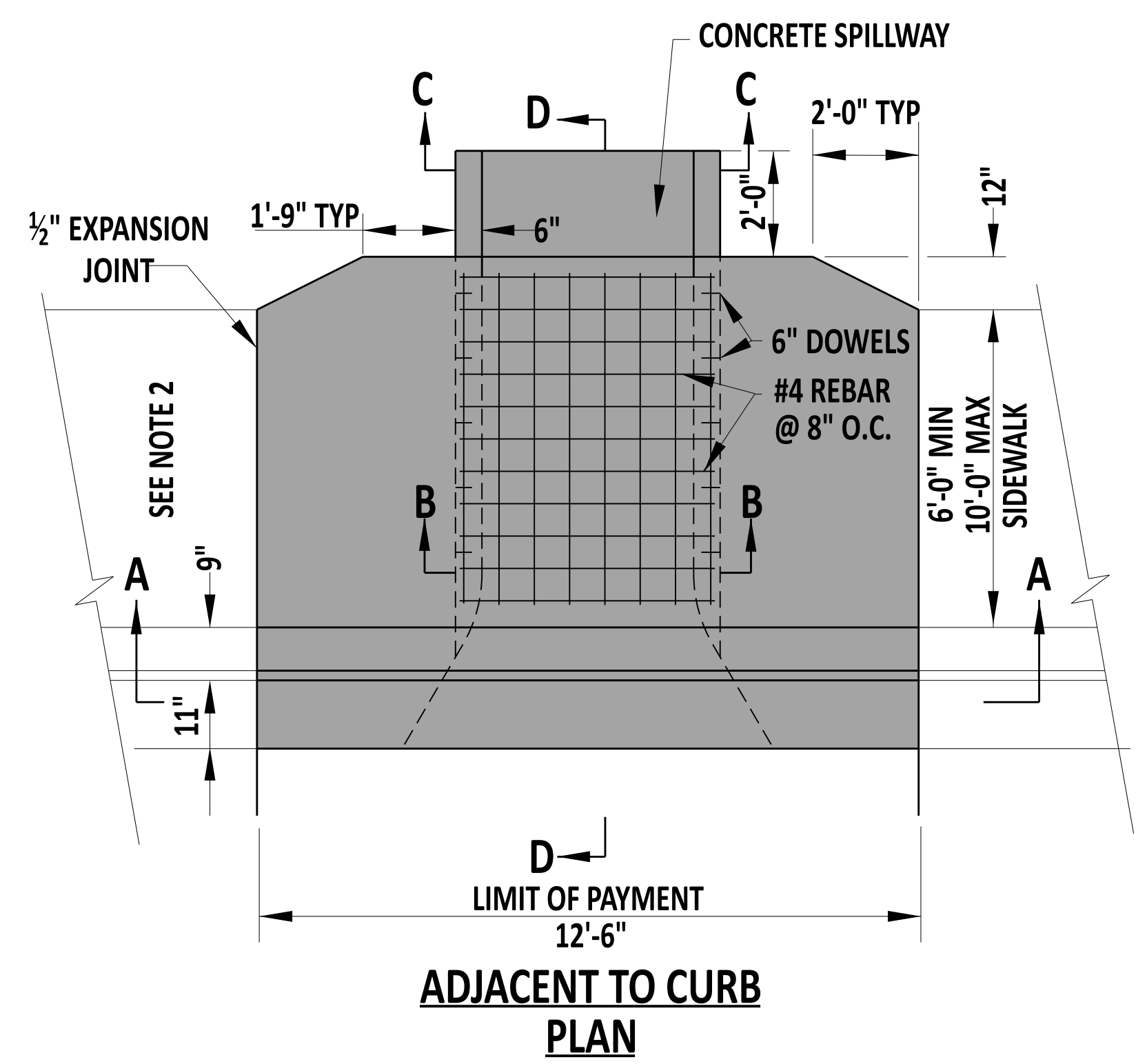


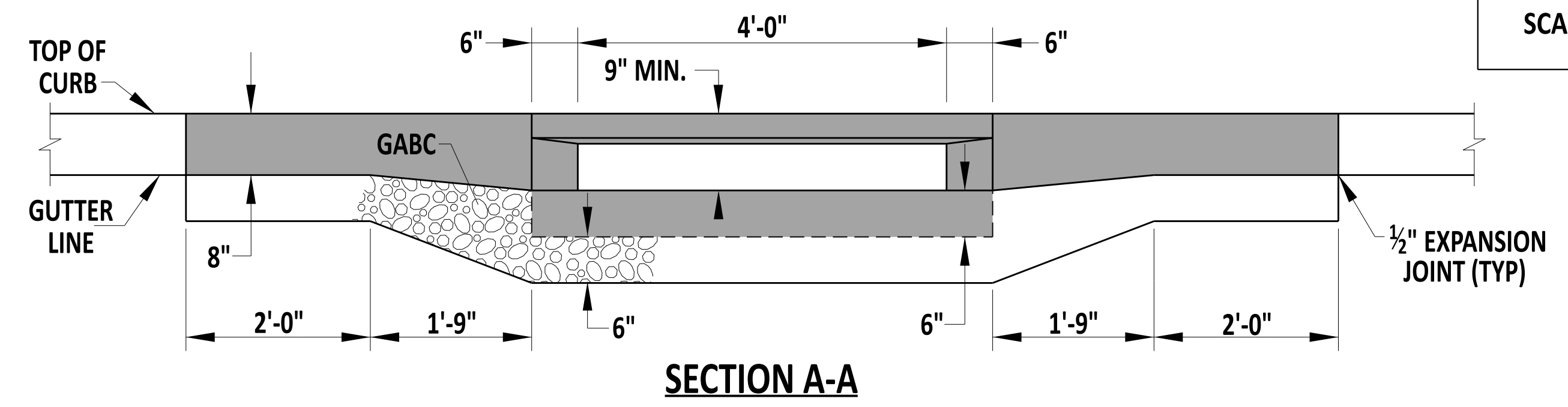
SCALE : NTS



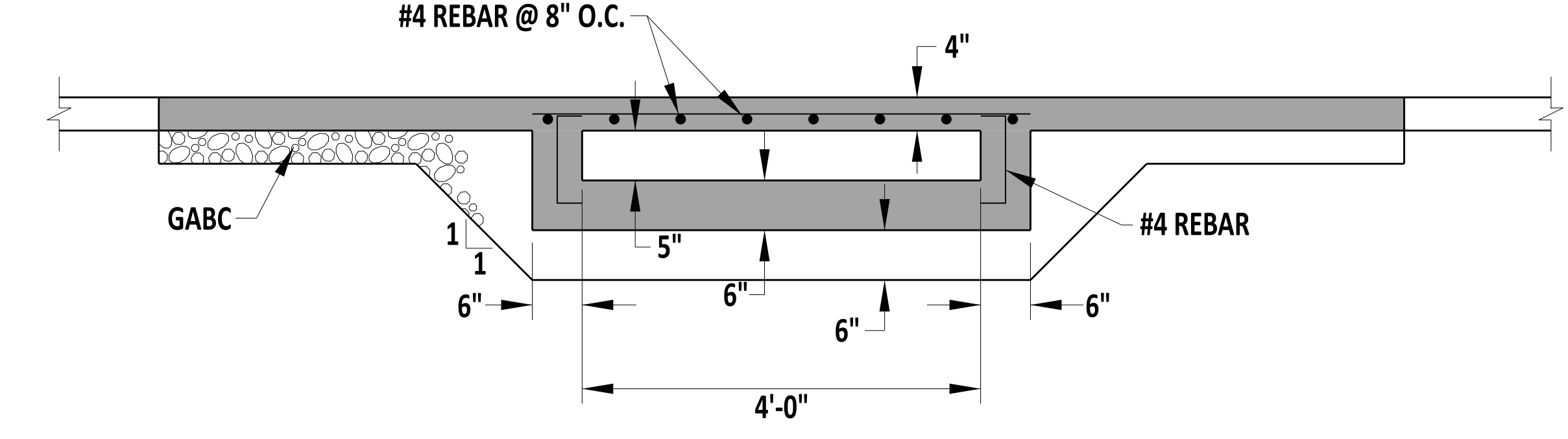
**ADJACENT TO CURB
ISOMETRIC**



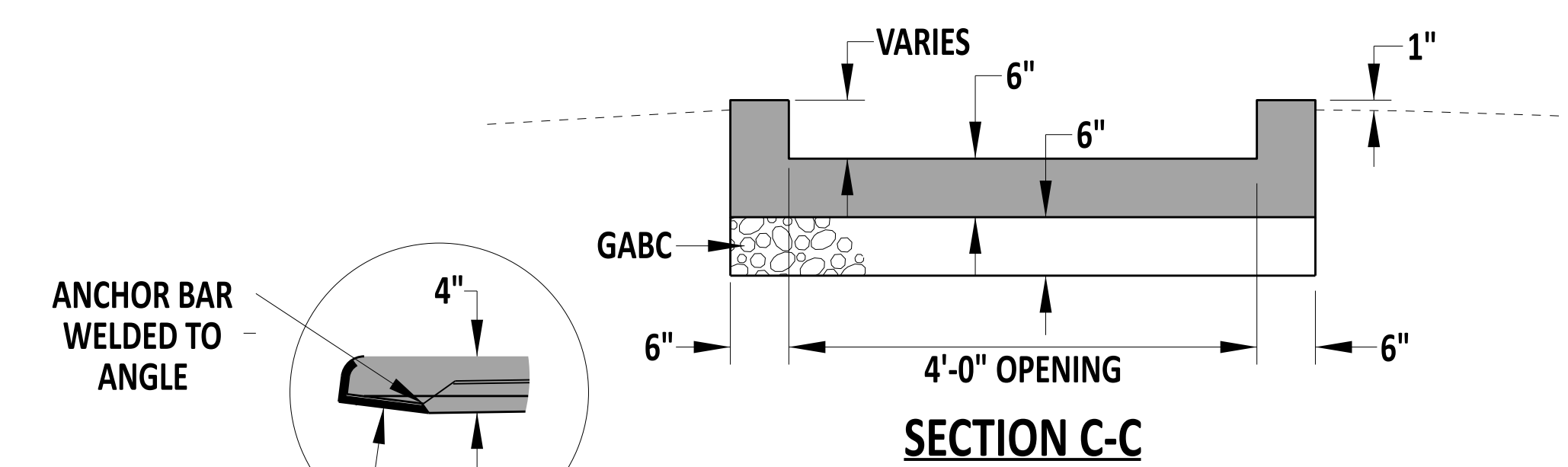
**ADJACENT TO CURB
PLAN**



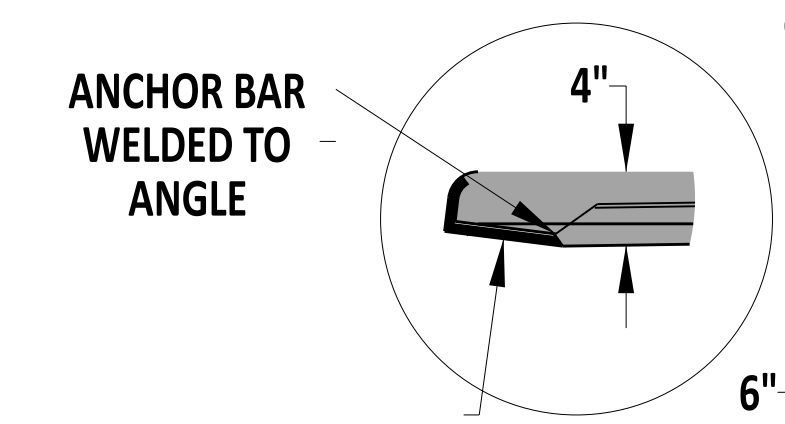
SECTION A-A



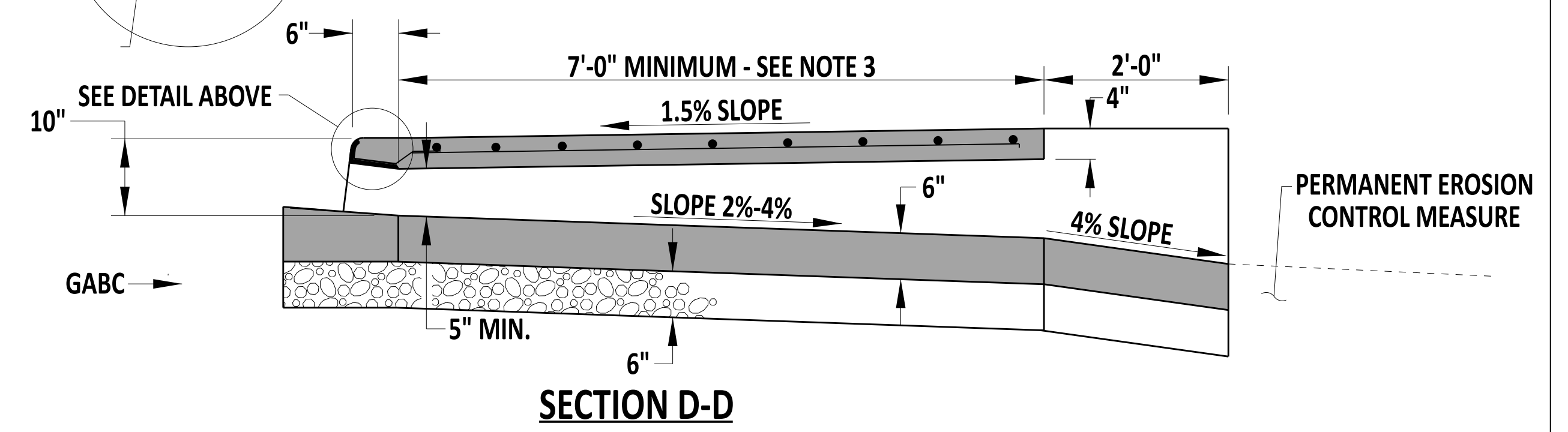
SECTION B-B



SECTION C-C



ANCHOR BAR
WELDED TO
ANGLE



SECTION D-D

NOTES:

- 1). WHEN A GRASS STRIP IS PRESENT BETWEEN THE BACK OF CURB AND SIDEWALK, THE SIDEWALK PORTION OF THIS STRUCTURE MAY BE PRECAST. HOWEVER, WHEN THE SIDEWALK IS DIRECTLY BEHIND THE CURB, USE CAST-IN-PLACE CONSTRUCTION.
- 2). OVER THE CONCRETE SPILLWAY, USE A SLAB WIDTH 12" WIDER THAN THE SIDEWALK WIDTH AND USE A 2'-0" CONCRETE APRON APPROACH.

CURB / SIDEWALK OPENING

	 Andrew Shott ENGINEERING SUPPORT 12/22/2023 DATE	CURB / SIDEWALK OPENING, INTEGRAL PCC CURB & GUTTER TYPE 3-8		REVIEWED DEPUTY DIRECTOR - DESIGN 22 December 2023 DATE
	RECOMMENDED	STANDARD NO. C-5 (2024)	SHT. 2 OF 2	APPROVED CHIEF ENGINEER 01/11/2024 DATE