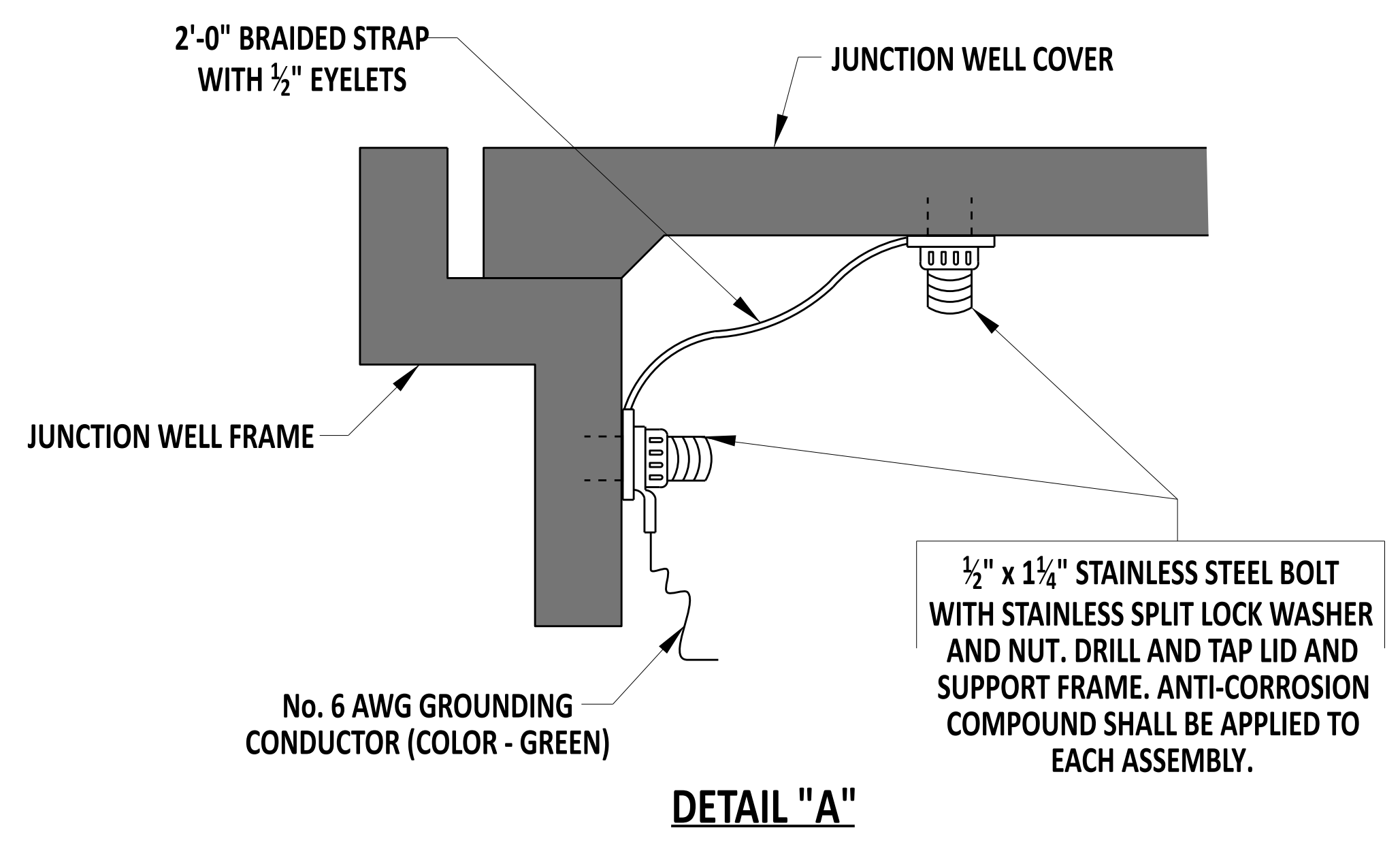
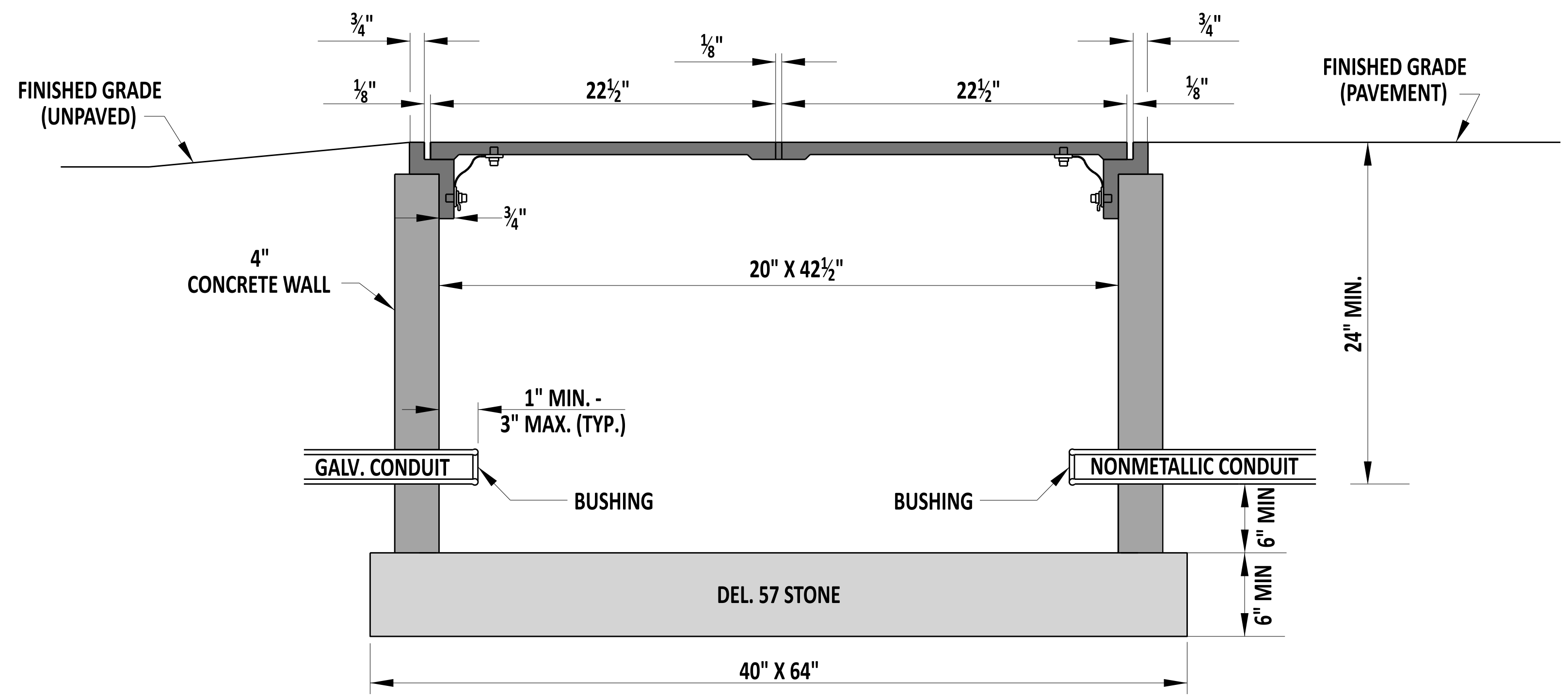


PLAN VIEW

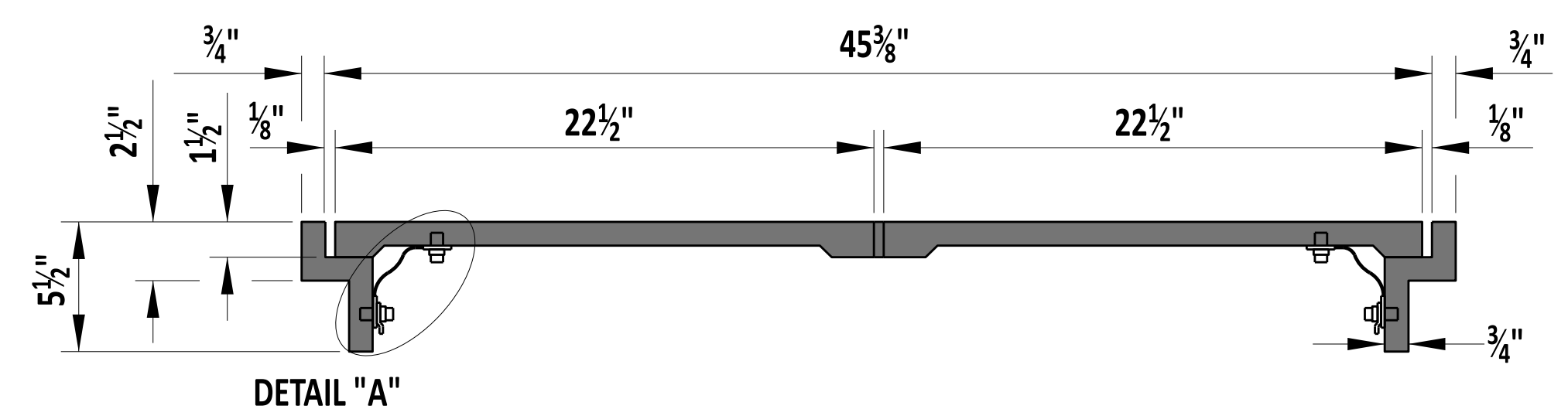


DETAIL "A"

1/2" x 1 1/4" STAINLESS STEEL BOLT WITH STAINLESS SPLIT LOCK WASHER AND NUT. DRILL AND TAP LID AND SUPPORT FRAME. ANTI-CORROSION COMPOUND SHALL BE APPLIED TO EACH ASSEMBLY.



SECTION A-A



- NOTES:**
- 1). TYPE 4 CONDUIT JUNCTION WELL SHALL BE PRECAST CONCRETE. AT LEAST ONE HOLE IN PRECAST WELLS WILL BE OF A 5" DIAMETER COMPLETELY THROUGH THE WALL. UNUSED HOLES SHALL BE PLUGGED.
 - 2). CONDUIT JUNCTION WELLS SHALL NOT BE PLACED WITHIN OR UNDER THE TRAVELWAY.
 - 3). ALL CONDUIT JUNCTION WELLS PLACED IN PAVED AREAS SHALL BE CONSTRUCTED FLUSH WITH THE FINISHED GRADE. ALL CONDUIT JUNCTION WELLS PLACED IN UNPAVED AREAS SHALL BE CONSTRUCTED ABOVE FINISHED GRADE AND GRADED TO DRAIN AWAY FROM THE WELL, AS DETAILED.
 - 4). ALL CRACKS, GAPS, OR OPENINGS IN JUNCTION WELL WALL SHALL BE SEALED WITH CONCRETE.



Andrew Short
ENGINEERING SUPPORT
RECOMMENDED
DATE 12/22/2023

CONDUIT JUNCTION WELL, TYPE 4
STANDARD NO. T-1 (2024)
SHT. 2 OF 4

REVIEWED
APPROVED
Deputy Director - Design
Chief Engineer
22 December 2023
01/11/2024
DATE