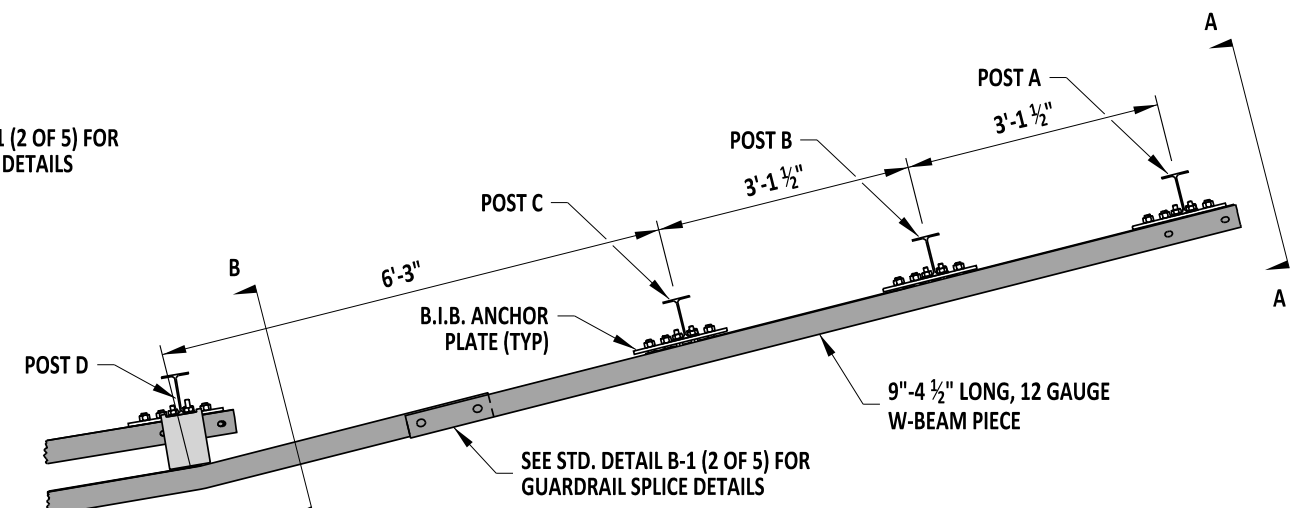
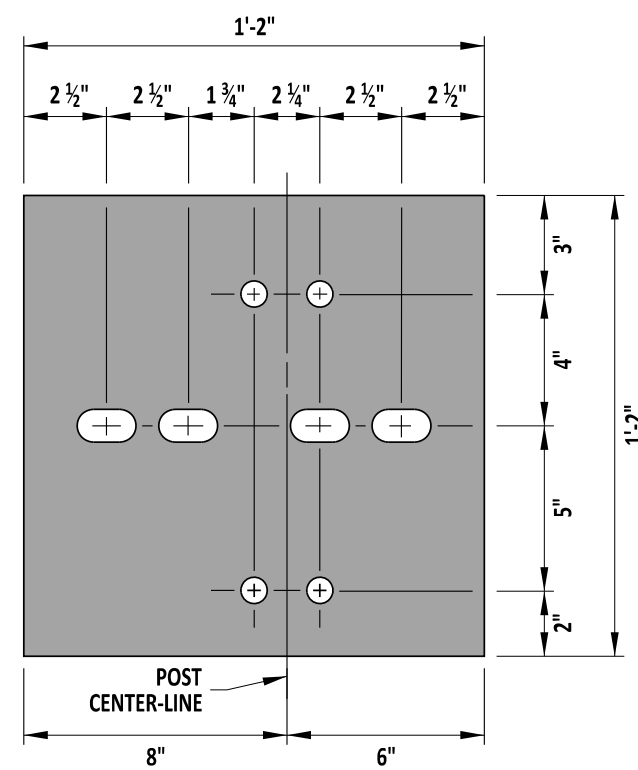


DETAIL A

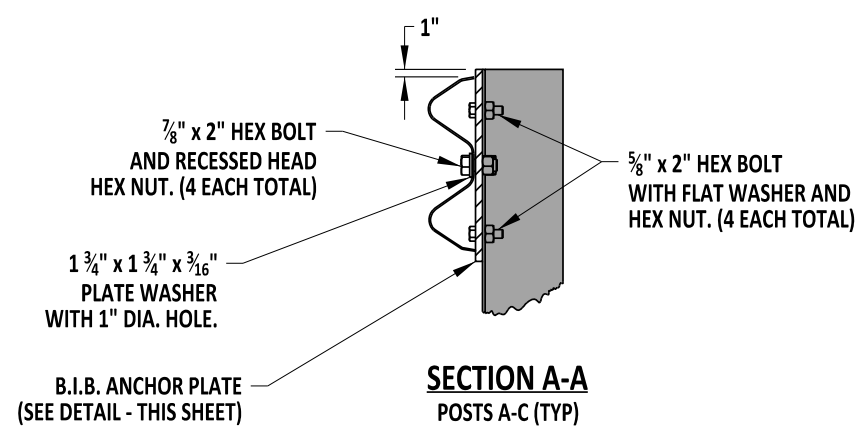


DETAIL B

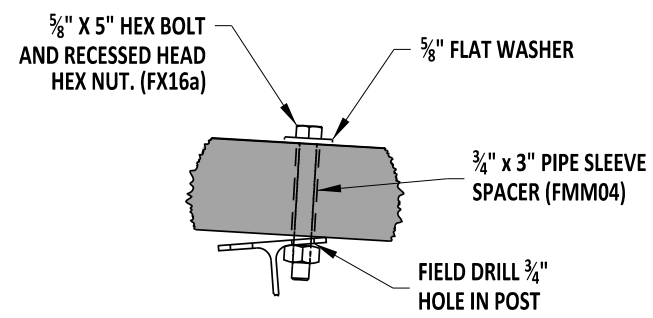


B.I.B. ANCHOR PLATE

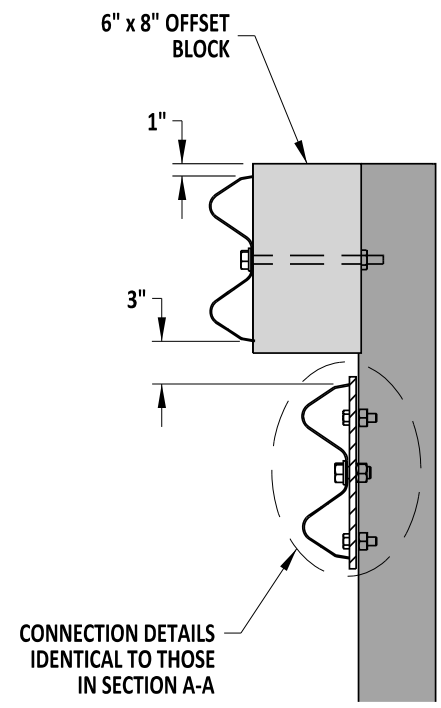
- PLATE NOTES:**
- 1). PLATE IS 1/2" GALVANIZED ASTM A36 STEEL.
 - 2). ALL CIRCULAR HOLES ARE 3/4" DIAMETER.
 - 3). ALL SLOTTED HOLES ARE 1" x 1 3/4".



SECTION A-A
POSTS A-C (TYP)



DETAIL C



SECTION B-B
POST D ONLY

- NOTES:**
- 1). FIELD DRILL 1" DIAMETER HOLES IN W-BEAM RAIL ELEMENTS TO MAKE CONNECTIONS TO THE B.I.B. ANCHOR PLATE.
 - 2). ALL HARDWARE SHALL BE GALVANIZED UNLESS SPECIFIED OTHERWISE.
 - 3). OFFSET BLOCKS SHALL BE WOOD OR COMPOSITE.



Paul Johnson
ENGINEERING SUPPORT
RECOMMENDED
DATE 09/01/2020

BURIED IN BACKSLOPE END TERMINAL HARDWARE, TYPE 1-31

STANDARD NO. B-20 (2020) SHT. 3 OF 4

REVIEWED *Mike Long*
DEPUTY DIRECTOR - DESIGN
DATE 09/01/2020

APPROVED *Shrey*
CHIEF ENGINEER
DATE 09/01/2020