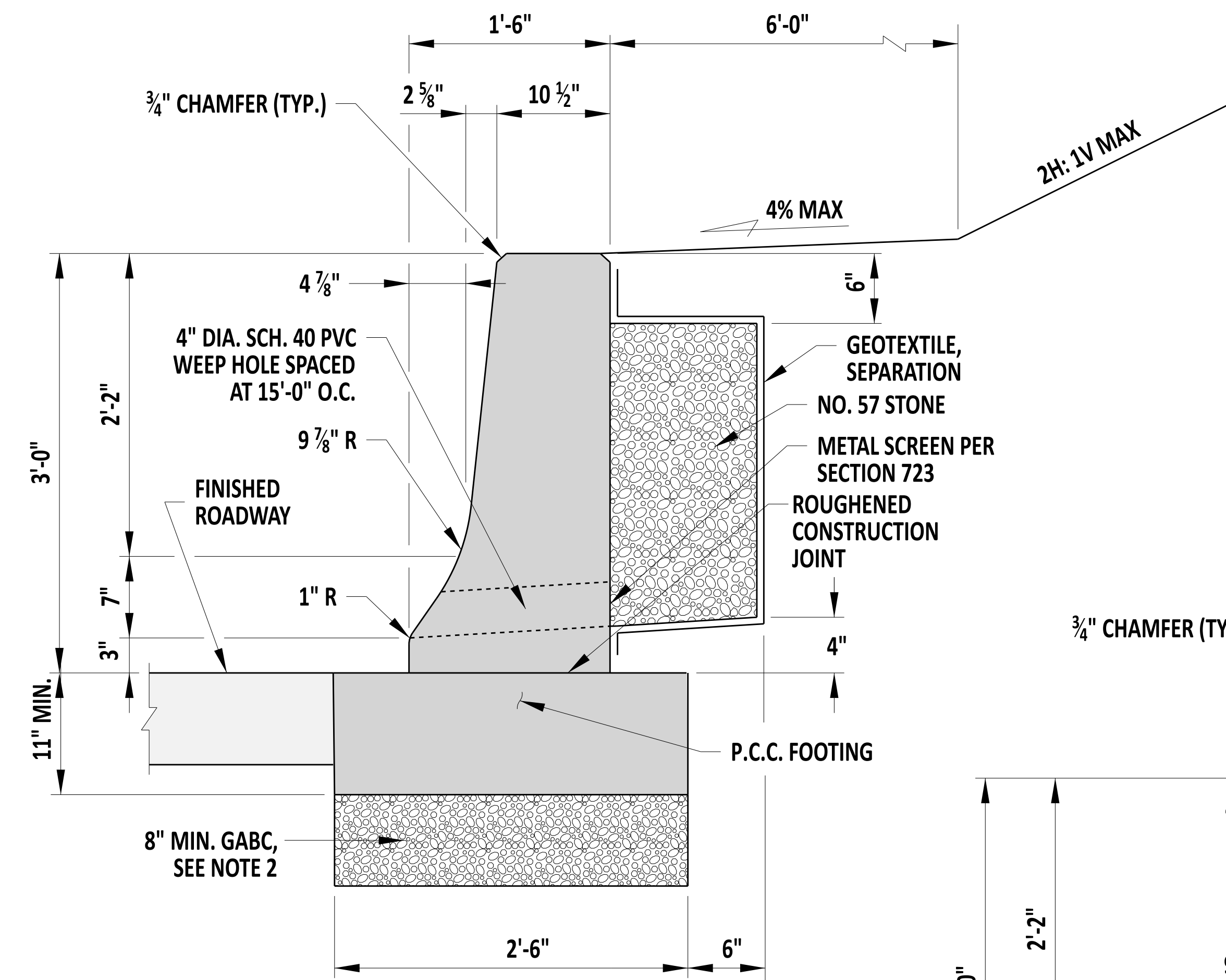
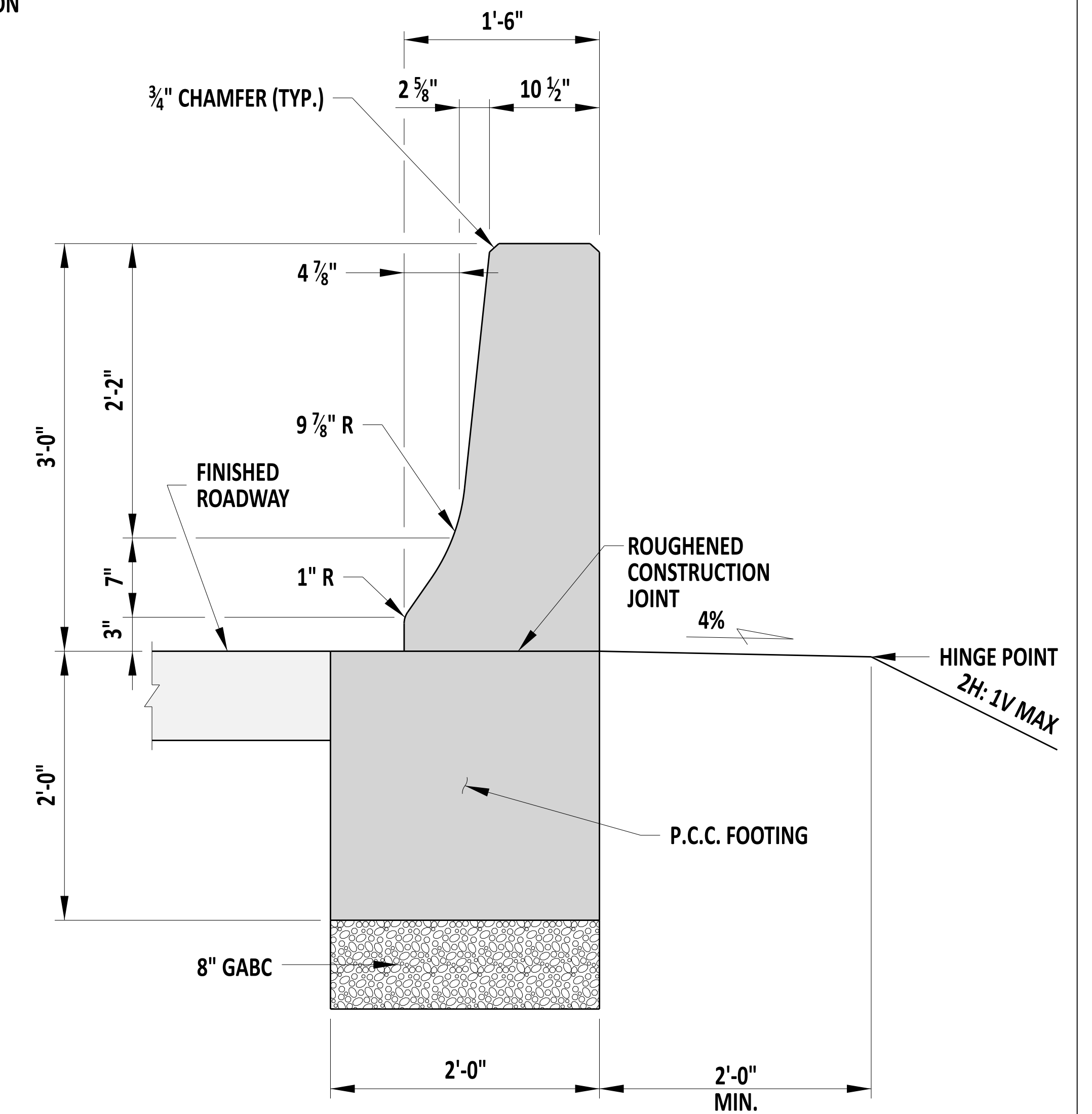


TYPICAL BARRIER APPLICATION - TYPE 1



TYPICAL BARRIER APPLICATION - TYPE 2



TYPICAL BARRIER APPLICATION - TYPE 3

NOTES:  
 1). CONSTRUCT IN ACCORDANCE WITH SECTION 723.  
 2). DEPTH OF GABC TO MATCH ROADWAY BASE DEPTH, 8" MINIMUM.

TL-4



Andrew Shott  
 ENGINEERING SUPPORT  
 12/22/2023  
 DATE  
 RECOMMENDED

36" CONCRETE ROADSIDE BARRIER (F-SHAPE)  
 STANDARD NO. B-25 (2024)  
 SHT. 1 OF 2

REVIEWED  
 DEPUTY DIRECTOR - DESIGN  
 APPROVED  
 CHIEF ENGINEER  
 22 December 2023  
 DATE  
 01/11/2024  
 DATE