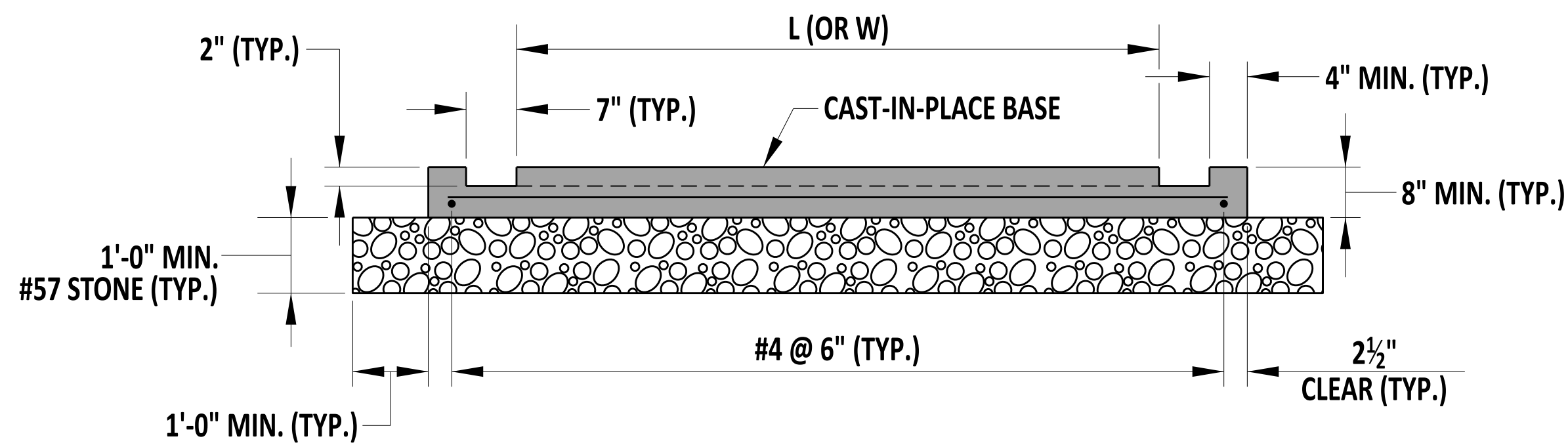


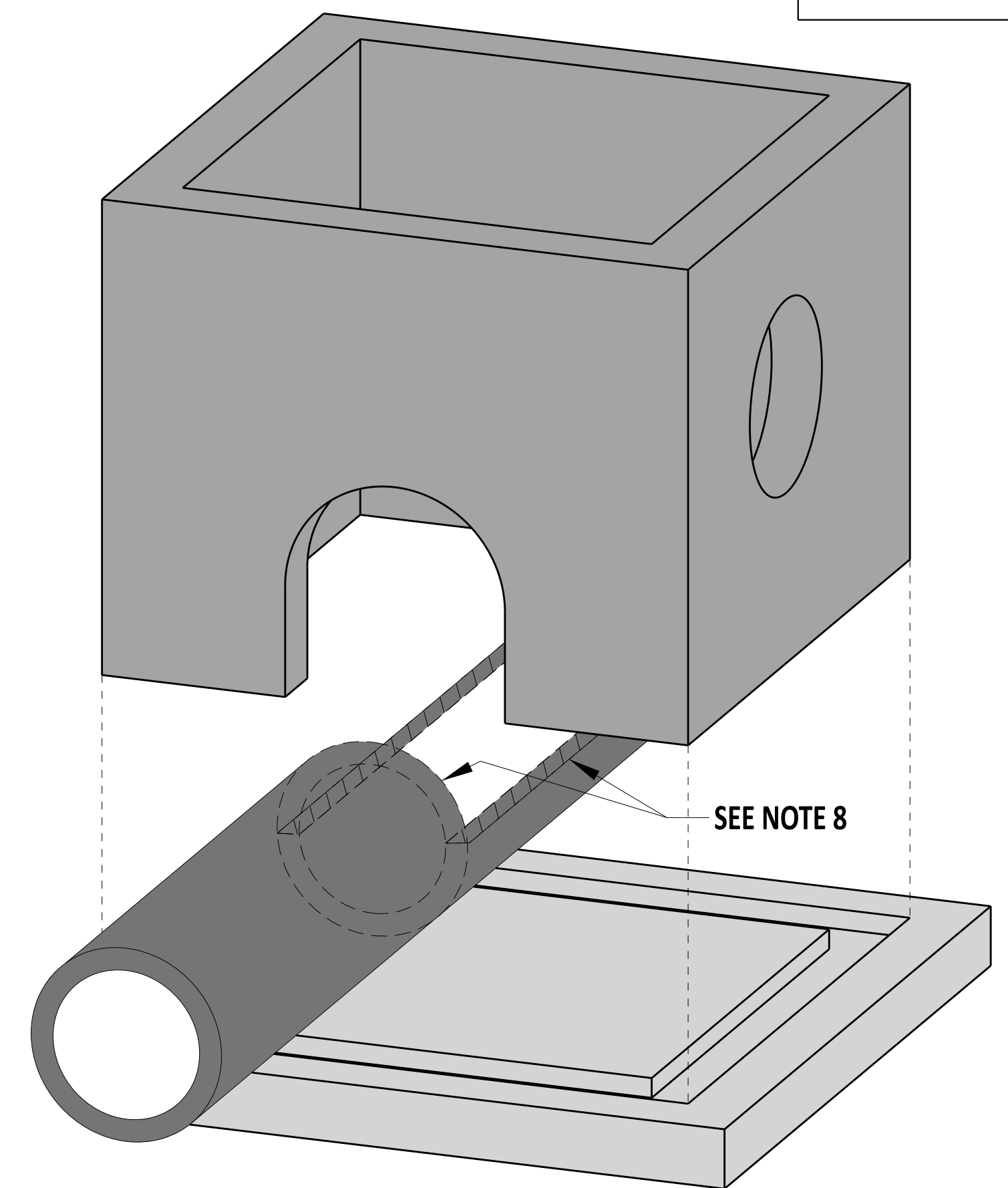
PLAN VIEW

NOTES:

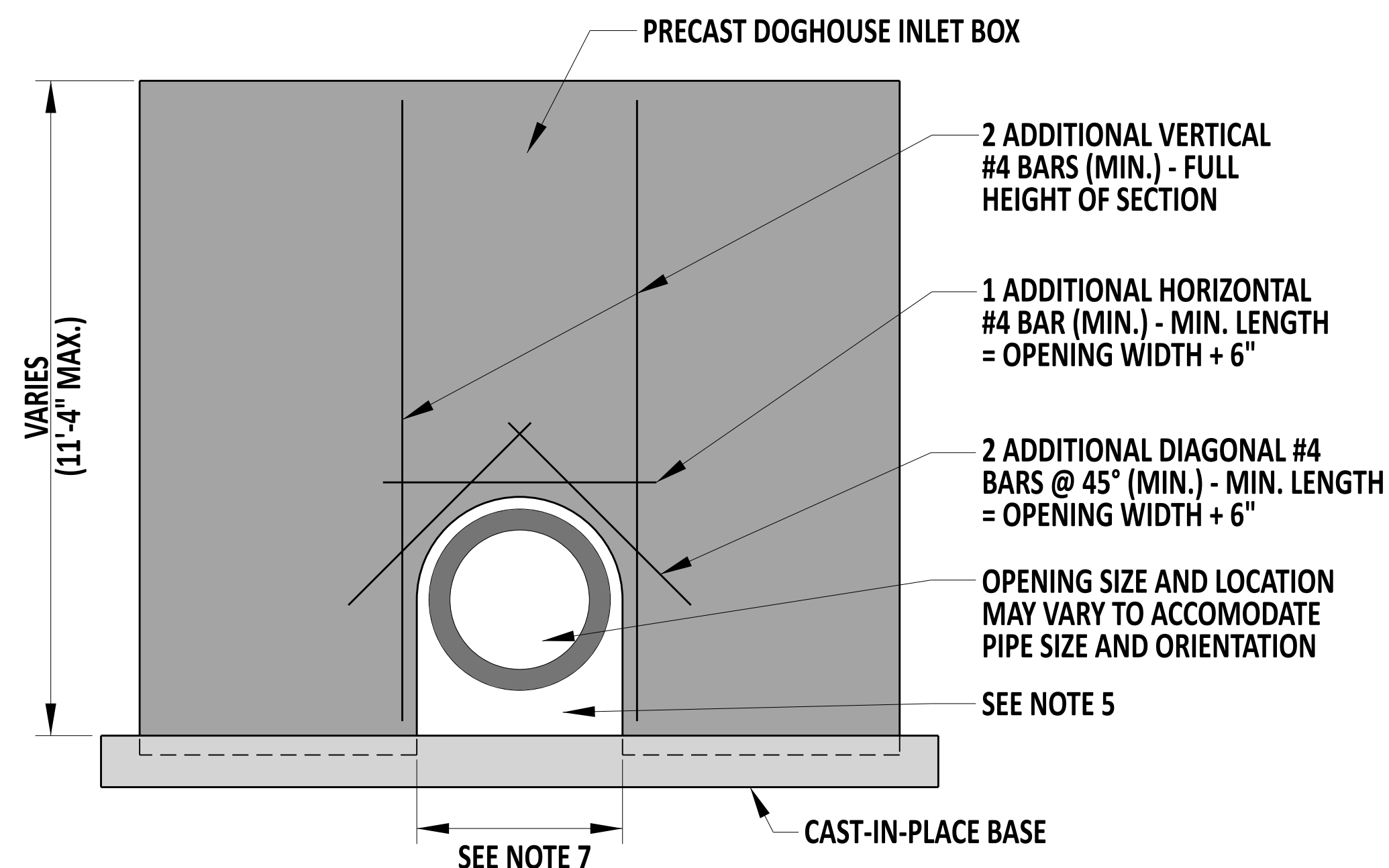
- 1). CONSTRUCT THE DOGHOUSE INLET BOX IN ACCORDANCE WITH SECTION 602. SEE DETAIL D-4, SHEET 1 OF 1 FOR BOX DETAILS AND NOTES.
- 2). PROVIDE A MINIMUM COVER OF 1 1/2" FOR ALL REINFORCEMENT, UNLESS NOTED OTHERWISE.
- 3). SUPPORT BOTH ENDS OF THE PIPE DURING THE CONSTRUCTION OF THE BASE.
- 4). SEE TABLE ON DETAIL D-4, SHEET 1 OF 1 FOR WALL REINFORCEMENT DETAILS.
- 5). FILL DOGHOUSE OPENING WITH HIGH STRENGTH, NON-SHRINK GROUT MIXED WITH COARSE AGGREGATE IN A 1:1 RATIO BY WEIGHT.
- 6). MAINTAIN A MINIMUM OF 12" FROM THE TOP OF THE DOGHOUSE OPENING TO THE TOP OF THE BOX. ADDITIONAL REINFORCEMENT AT PIPE OPENING REQUIRED AS SHOWN.
- 7). CONSTRUCT DOGHOUSE OPENING BETWEEN 3" AND 4" LARGER THAN THE OUTSIDE DIAMETER OF THE PIPE. DO NOT ENCROACH ON THE ADJACENT WALL.
- 8). INSIDE THE DOGHOUSE STRUCTURE, REMOVE THE EXISTING PIPE BY SAWCUTTING FLUSH WITH THE INSIDE WALL FACE. ALTERNATELY, REMOVE THE TOP HALF OF THE PIPE AND USE THE REMAINING PIPE SECTION AS THE BOTTOM OF THE FLOW CHANNEL, AS SHOWN IN SECTION B-B.



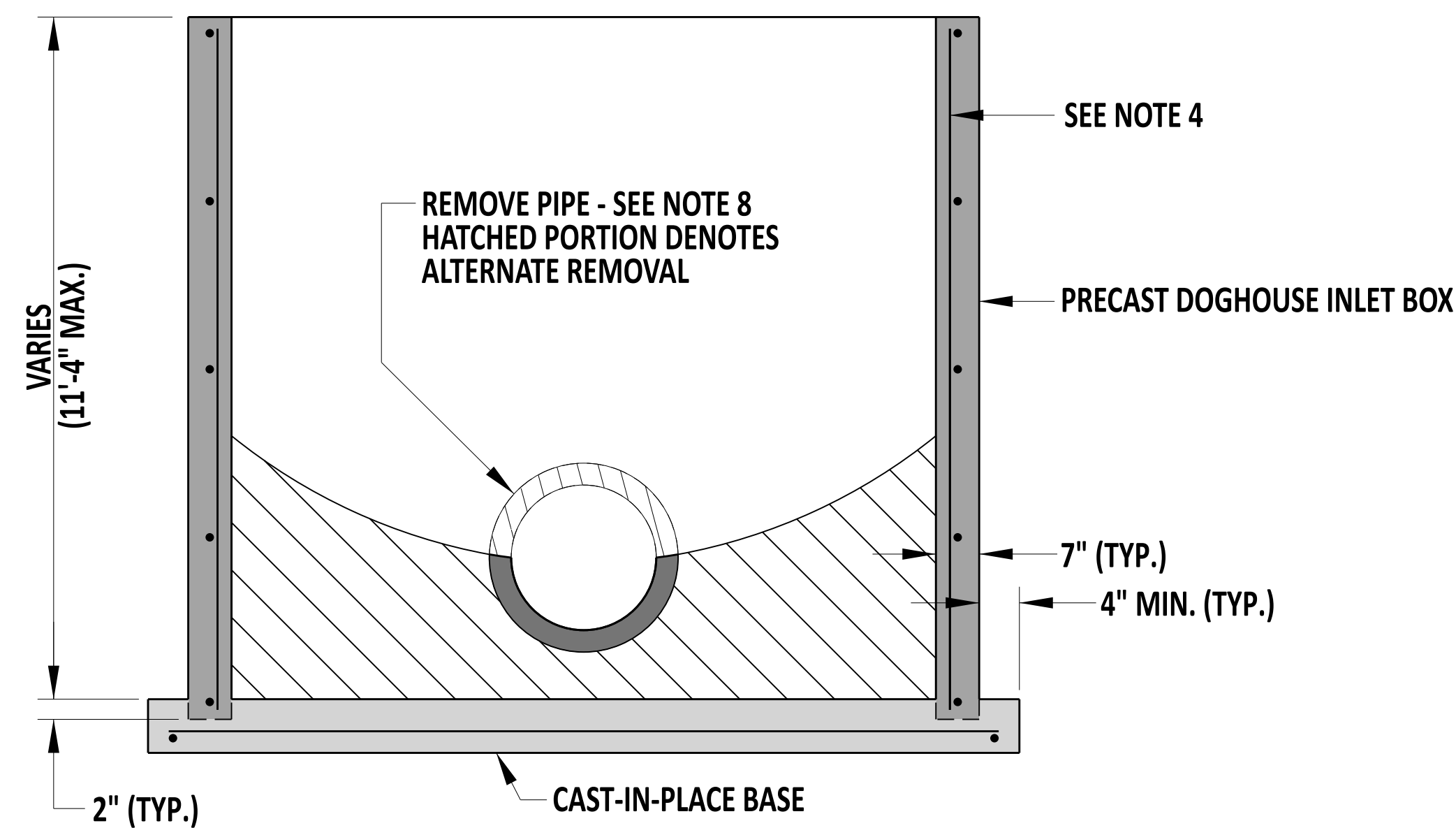
CAST-IN-PLACE BASE SECTION VIEW



ISOMETRIC VIEW



SECTION A-A



SECTION B-B



Andrew Short
 ENGINEERING SUPPORT
 12/22/2023
 DATE
RECOMMENDED

DOGHOUSE INLET BOX
 STANDARD NO. D-5 (2024) SHT. 9 OF 9

REVIEWED
 DEPUTY DIRECTOR - DESIGN
 22 December 2023
 DATE
APPROVED
 CHIEF ENGINEER
 01/11/2024
 DATE