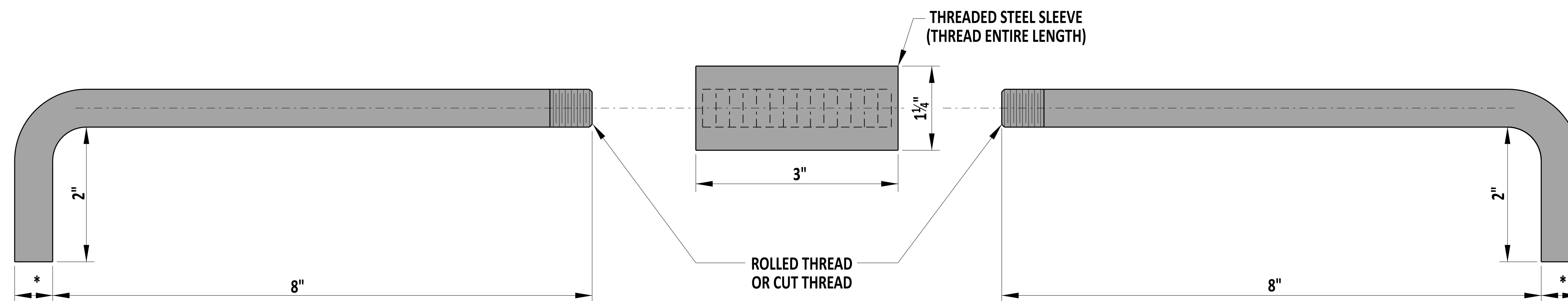
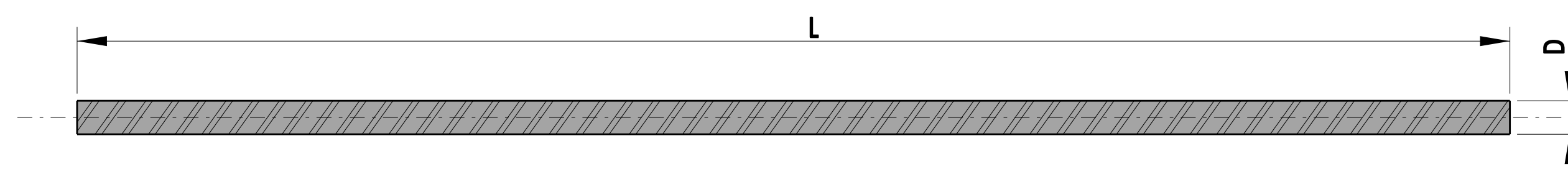


**W BOLT**

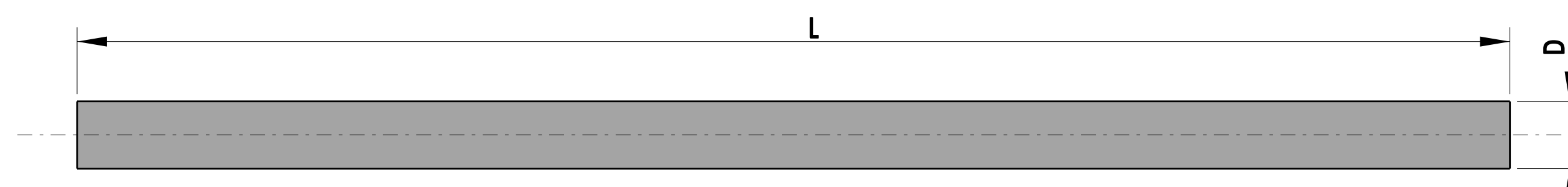


**HOOK BOLT**

\*  $-\frac{1}{16}$ " ROLLED THREADS  
 $\frac{3}{4}$ " CUT THREADS



**TIE BAR**



**DOWEL BAR**

DOWEL & TIE BAR CHART				
SLAB THICKNESS	DOWEL		TIE BAR	
	D	L	D	L
8" < T ≤ 11"	1 1/4"	18"	5/8"	30"
T > 11"	1 1/2"	20"	5/8"	30"



Andrew Shott  
 ENGINEERING SUPPORT  
 12/22/2023  
 DATE  
**RECOMMENDED**

**W BOLT, HOOK BOLT, DOWEL AND TIE BAR**  
 STANDARD NO. P-1 (2024) SHT. 3 OF 4

**REVIEWED**  
 DEPUTY DIRECTOR - DESIGN  
 22 December 2023  
 DATE  
**APPROVED**  
 CHIEF ENGINEER  
 01/11/2024  
 DATE