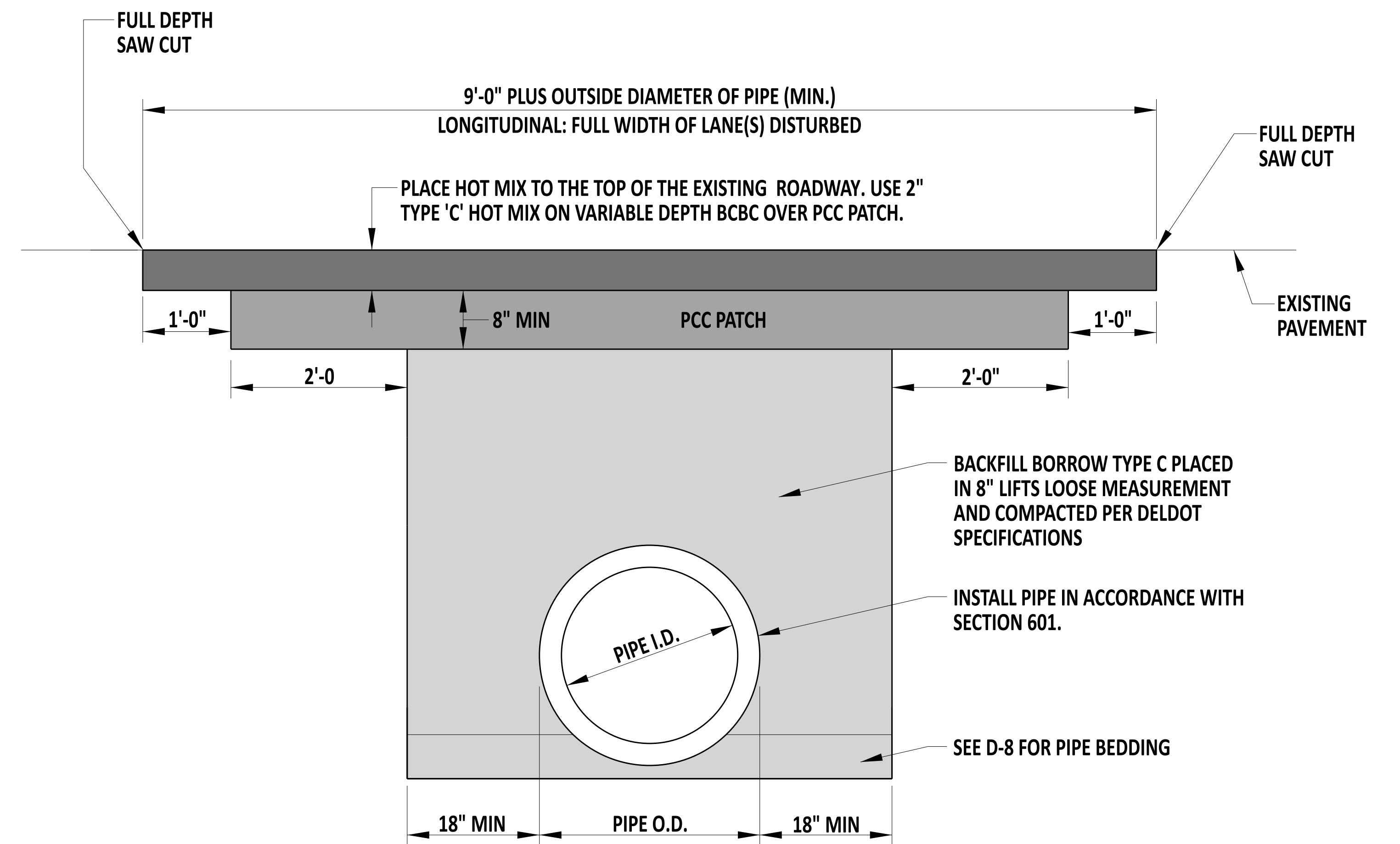


PERMANENT CROSS-ROAD OR LONGITUDINAL PATCH DETAIL



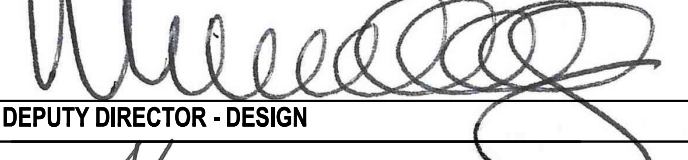

PERMANENT CROSS-ROAD OR LONGITUDINAL PATCH DETAIL
* EXISTING CONCRETE PAVEMENT OVERLAYED WITH HOTMIX LOCATIONS

- NOTES:**
- 1). PATCH WIDTHS ARE MEASURED ALONG THE ROADWAY CENTERLINE. CONSTRUCT PATCHES THE FULL WIDTH OF THE LANE OR LANES DISTURBED.
 - 2). THIS IS A MINIMUM PATCH. IF THE EXISTING ROADWAY HAS A HEAVIER CROSS SECTION THAN SHOWN HERE, IT WILL BE REPLACED WITH THAT CROSS SECTION, OR AS DIRECTED BY THE ENGINEER.




 Andrew Shott
 ENGINEERING SUPPORT
 12/22/2023
 DATE
RECOMMENDED

PERMANENT CROSS-ROAD PATCH OVER PIPE TRENCH
 STANDARD NO. P-4 (2024) SHT. 1 OF 1

REVIEWED

 DEPUTY DIRECTOR - DESIGN
 22 December 2023
 DATE
APPROVED

 CHIEF ENGINEER
 01/11/2024
 DATE